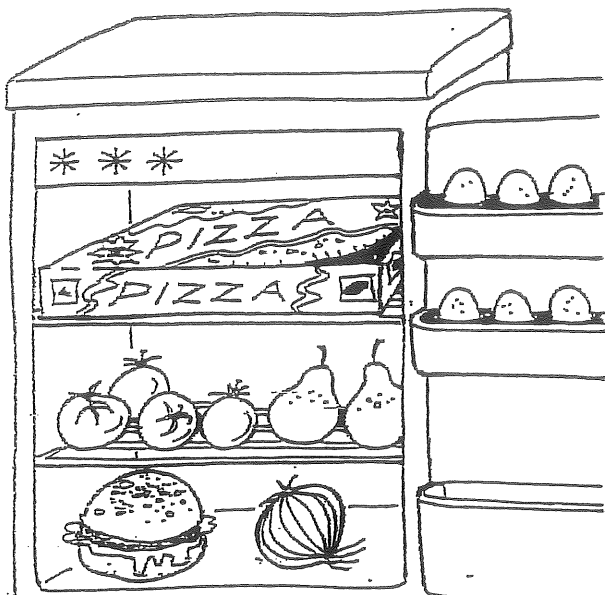


**a** uncountable nouns / THERE IS / THERE ARE (HAY)  
 (singular / countable nouns) (plural nouns)

Mira la ilustración y completa las frases. Utiliza *there is*, *there isn't*, *there are* o *there aren't*.

There isn't an orange, but there is a pear.

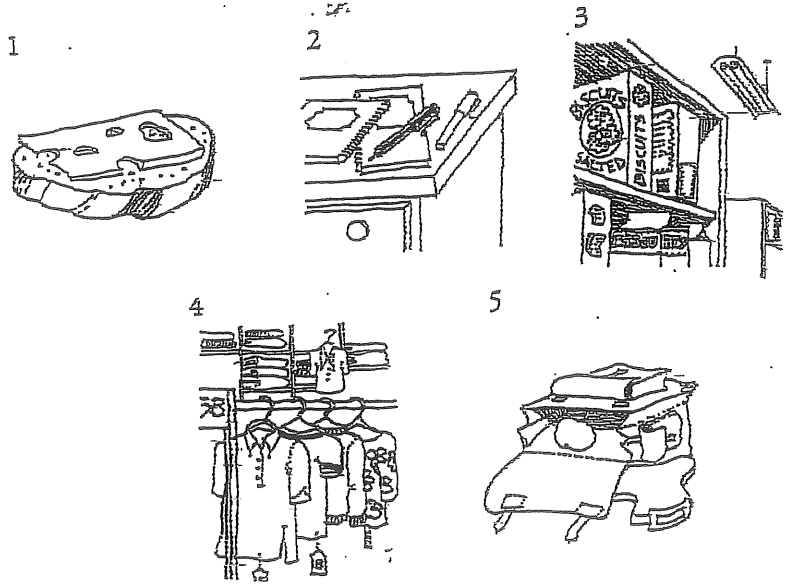


- 1 \_\_\_\_\_ three pears, but \_\_\_\_\_ six eggs.
- 2 \_\_\_\_\_ a sandwich, but \_\_\_\_\_ a pizza.
- 3 \_\_\_\_\_ a hamburger, but \_\_\_\_\_ three onions.

**b**

Mira el dibujo y responde las preguntas.

1. Is there any cheese on the bread?  
 Yes, there is. \_\_\_\_\_
2. Are there any pencils on the desk?  
 \_\_\_\_\_
3. Are there any biscuits in the supermarket?  
 \_\_\_\_\_
4. Is there a dress in the clothes shop?  
 \_\_\_\_\_
5. Is there an apple in the schoolbag?  
 \_\_\_\_\_



**c**

Fill in "There is", "There are", "Is there" or "Are there".

1. Are there any people on the bus?
2. .... any cheese in the sandwich?
3. .... some books in my bag.
4. .... some meat in the fridge.
5. .... any sugar in this tea?
6. .... some dogs in the garden.
7. .... a policeman in that car.
8. .... any matches in the matchbox?
9. .... any money in your pocket?
10. .... any horses in the field?
11. .... some Coca-Cola in that glass.
12. .... some letters on the table.
13. .... any water in the bottle?
14. .... any chairs in the room?
15. .... some paper on the desk.
16. .... a cat under the tree.



first

A. Write the words from the box in the correct column.

bread    lemon    water    woman    cheese    sugar    meat    beer    wine    room  
 bottle    boy    money    table    dog    glass    girl    tea    car    milk

Uncountable

Countable

... bread .....  
 .....  
 .....  
 .....  
 .....  
 .....  
 .....  
 .....

... bottle .....  
 .....  
 .....  
 .....  
 .....  
 .....  
 .....  
 .....

B. Fill in with "a", "an" or "some".

countable (singular) →

a → + consonant  
 an → + vowel

Some → unas  
 unas

countable (plural) ↓

algode

↑  
 uncountable

- |                      |                         |                         |
|----------------------|-------------------------|-------------------------|
| 1. ... a ... teacher | 8. .... jam             | 15. .... sugar          |
| 2. .... egg          | 9. .... lemonade        | 16. .... bowl of sugar  |
| 3. .... tea          | 10. .... meat           | 17. .... milk           |
| 4. .... umbrella     | 11. .... bottle of wine | 18. .... carton of milk |
| 5. .... shirt        | 12. .... coffee         | 19. .... glass of water |
| 6. .... money        | 13. .... loaf of bread  | 20. .... water          |
| 7. .... spoon        | 14. .... bread          | 21. .... octopus        |

C. Complete the sentences with a, an or some.

- I've got ..... some ..... homework.
- I haven't got ..... apple.
- They've got ..... white chairs.
- This is ..... nice park.
- We've got ..... rabbit!
- I've got ..... aunt in Turkey.
- Here's ..... cup of tea.
- I've got ..... water.

Some → { algunos/as  
 algo de ⊕  
 (affirmative) (count/unc)

D. Any → { algunas/as  
 algo de ?  
 (interrogative/negative) ningunos/as  
 nada de -

Fill in "some" or "any".

- There are ... some ... people in the shop.
- Is there ..... milk in that cup?
- There is ..... cheese in this sandwich.
- Are there ..... pencils on the table?
- There isn't ..... bread here.
- There are ..... pens on his desk.
- Are there ..... letters for me?
- There isn't ..... meat on the plate.
- There are ..... elephants in the zoo.
- Are there ..... cats in the garden?
- Is there ..... water in the bottle?
- There is ..... coffee in the cup.

THERE IS  
 THERE ARE

HAY

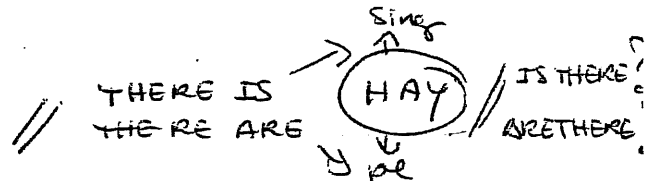
IS THERE ? singular  
 ARE THERE ? plural

HAY ?

Complete the sentences with *some* or *any*.

1. Have you got .....*any*..... brothers or sisters in England?
2. There aren't ..... dictionaries in the classroom.
3. We've got ..... tea in the kitchen.
4. Sorry, we haven't got ..... cake.
5. Have you got ..... children?
6. There are ..... pictures on the bookshelf.
7. I haven't got ..... sugar.

Fill in "How much" or "How many".



1. *How many* trees can you see?
2. .... money have you got?
3. .... eggs are there in the fridge?
4. .... biscuits have you got?
5. .... milk do you want?
6. .... bread do you want?
7. .... boys are in your class?
8. .... glasses are on the table?
9. .... butter is there on the plate?
10. .... books have you got?
11. .... dolls has the girl got?
12. .... balls have you got?
13. .... sandwiches do you want?
14. .... flowers are in the vase?
15. .... beer is there in the bottle?
16. .... pens are there in your bag?
17. .... tea is there in the bag?
18. .... hats have you got?
19. .... wine is there in the bottle?
20. .... meat is there in the fridge?

Match A to B to make sentences about the pictures below.

TOO = Demasiado + ADJ.  
Too big

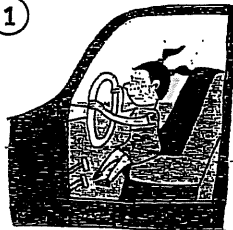
A

1. My sister is
2. The box is
3. The shoes are
4. The test was
5. The film is
6. The room is

B

- a. too small for the hat.
- b. too difficult for her.
1. c. too young to drive.
- d. too boring for the children.
- e. too dark to see.
- f. too big for his feet.

1



2



3



4



5

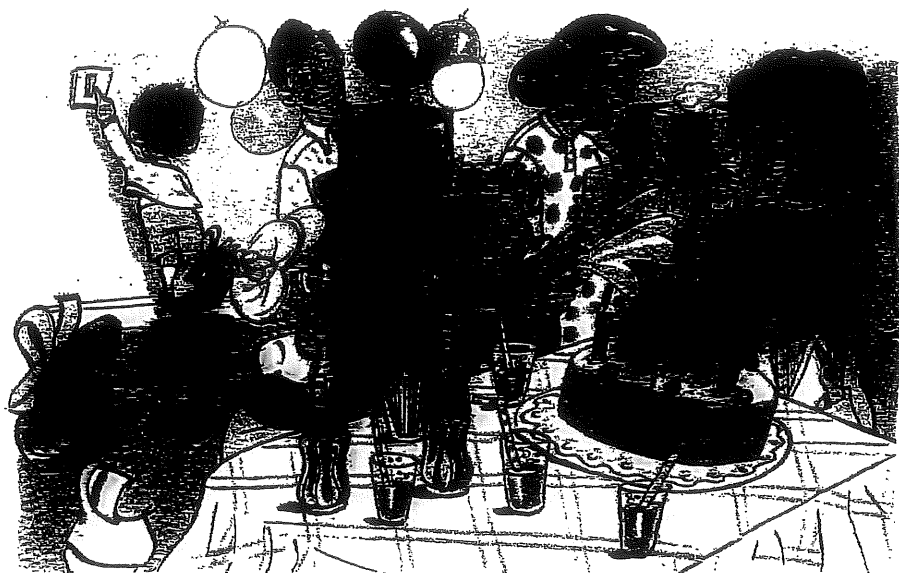


6



4. There is - are a / some / any

31 Look at the picture and write sentences as in the example:



1. Three children?

... Are there three children in the picture? ...  
... No, there aren't. There are five children. ...

2. A birthday cake?

3. Three candles?

4. Two boys?

5. Two girls?

6. One bottle of Coca-Cola?

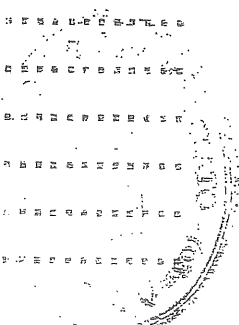
7. Five glasses?

8. One box?

9. One woman?

10. One man?

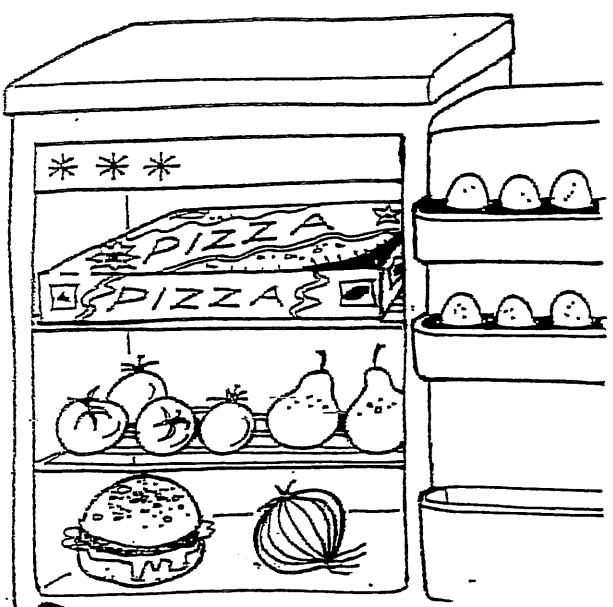
11. Five lollipops?



**a** uncountable nouns / THERE IS / THERE ARE (HAY)  
 (singular) / (plural nouns)  
 countable

Mira la ilustración y completa las frases. Utiliza *there is*, *there isn't*, *there are* o *there aren't*.

There isn't an orange, but there is a pear.

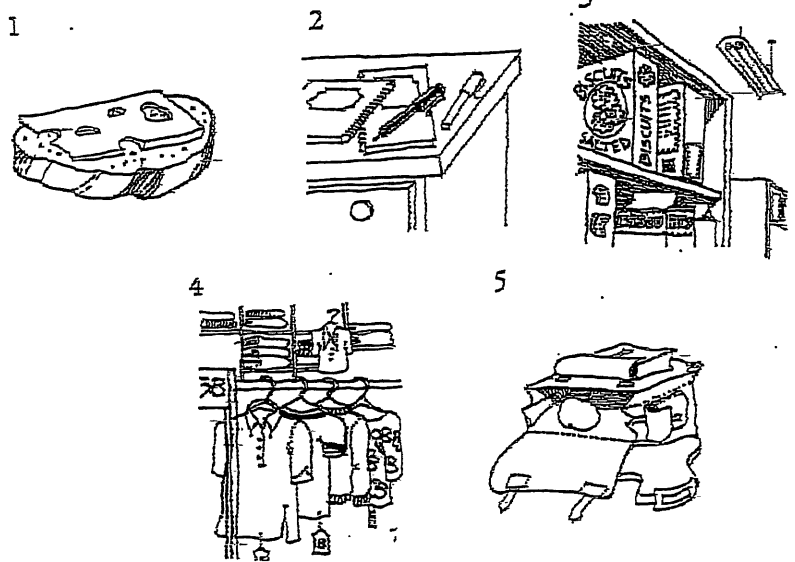


- 1 \_\_\_\_\_ three pears, but \_\_\_\_\_ six eggs.
- 2 \_\_\_\_\_ a sandwich, but \_\_\_\_\_ a pizza.
- 3 \_\_\_\_\_ a hamburger, but \_\_\_\_\_ three onions.

**b**

Mira el dibujo y responde las preguntas.

1. Is there any cheese on the bread?  
Yes, there is.
2. Are there any pencils on the desk?  
\_\_\_\_\_
3. Are there any biscuits in the supermarket?  
\_\_\_\_\_
4. Is there a dress in the clothes shop?  
\_\_\_\_\_
5. Is there an apple in the schoolbag?  
\_\_\_\_\_



**c**

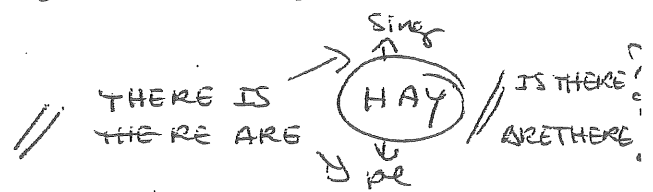
Fill in "There is", "There are", "Is there" or "Are there".

1. *Are there* any people on the bus?
2. .... any cheese in the sandwich?
3. .... some books in my bag.
4. .... some meat in the fridge.
5. .... any sugar in this tea?
6. .... some dogs in the garden.
7. .... a policeman in that car.
8. .... any matches in the matchbox?
9. .... any money in your pocket?
10. .... any horses in the field?
11. .... some Coca-Cola in that glass.
12. .... some letters on the table.
13. .... any water in the bottle?
14. .... any chairs in the room?
15. .... some paper on the desk.
16. .... a cat under the tree.

Complete the sentences with *some* or *any*.

1. Have you got .....*any*..... brothers or sisters in England?
2. There aren't ..... dictionaries in the classroom.
3. We've got ..... tea in the kitchen.
4. Sorry, we haven't got ..... cake.
5. Have you got ..... children?
6. There are ..... pictures on the bookshelf.
7. I haven't got ..... sugar.

Fill in "How much" or "How many".



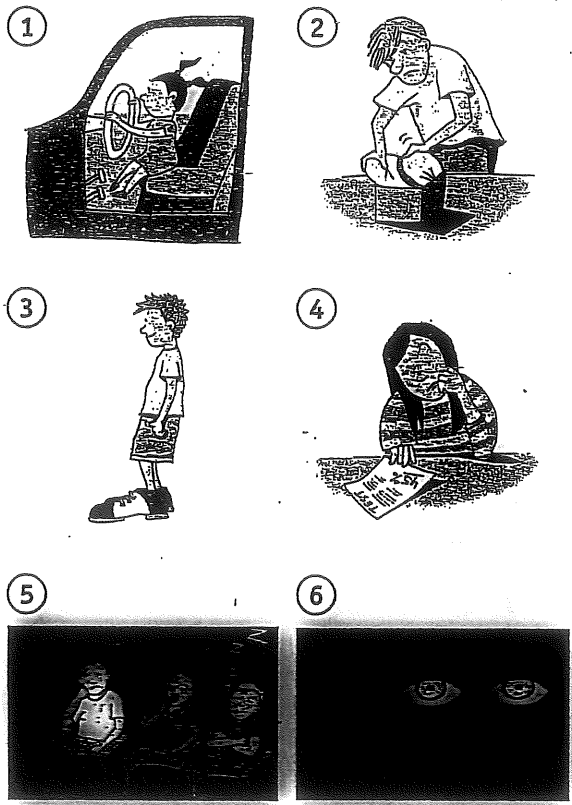
1. *How many* trees can you see?
2. .... money have you got?
3. .... eggs are there in the fridge?
4. .... biscuits have you got?
5. .... milk do you want?
6. .... bread do you want?
7. .... boys are in your class?
8. .... glasses are on the table?
9. .... butter is there on the plate?
10. .... books have you got?
11. .... dolls has the girl got?
12. .... balls have you got?
13. .... sandwiches do you want?
14. .... flowers are in the vase?
15. .... beer is there in the bottle?
16. .... pens are there in your bag?
17. .... tea is there in the bag?
18. .... hats have you got?
19. .... wine is there in the bottle?
20. .... meat is there in the fridge?

Match A to B to make sentences about the pictures below.

- A
1. My sister is
  2. The box is
  3. The shoes are
  4. The test was
  5. The film is
  6. The room is

- B
- ..... a. too small for the hat.
  - ..... b. too difficult for her.
  - ...!... c. too young to drive.
  - ..... d. too boring for the children.
  - ..... e. too dark to see.
  - ..... f. too big for his feet.

TOO = Demasiado + ADJ.  
Too big



1st

A. Write the words from the box in the correct column.

bread    lemon    water    woman    cheese    sugar    meat    beer    wine    room  
 bottle    boy    money    table    dog    glass    girl    tea    car    milk

Uncountable

Countable

... bread .....    ..... bottle .....  
 .....  
 .....  
 .....  
 .....

countable (plural)  
↓

B. Fill in with "a", "an" or "some".

countable (singular) → a → + consonant  
 an → + vowel

Some → unos / unas

algode  
↑  
uncountable

1. ... a ... teacher	8. .... jam	15. .... sugar
2. .... egg	9. .... lemonade	16. .... bowl of sugar
3. .... tea	10. .... meat	17. .... milk
4. .... umbrella	11. .... bottle of wine	18. .... carton of milk
5. .... shirt	12. .... coffee	19. .... glass of water
6. .... money	13. .... loaf of bread	20. .... water
7. .... spoon	14. .... bread	21. .... octopus

C. Complete the sentences with a, an or some.

- I've got ..... some ..... homework.
- I haven't got ..... apple.
- They've got ..... white chairs.
- This is ..... nice park.
- We've got ..... rabbit!
- I've got ..... aunt in Turkey.
- Here's ..... cup of tea.
- I've got ..... water.

Some → algunos/as (+)  
 (affirmative) { algo de (count/unc)

D. Any → algunas/as (?)  
 (interrogative/negative) { algo de (?)  
 ningunos/as nada de (-)

Fill in "some" or "any".

- There are ... some ... people in the shop.
- Is there ... milk in that cup?
- There is ... cheese in this sandwich.
- Are there ... pencils on the table?
- There isn't ... bread here.
- There are ... pens on his desk.
- Are there ... letters for me?
- There isn't ... meat on the plate.
- There are ... elephants in the zoo.
- Are there ... cats in the garden?
- Is there ... water in the bottle?
- There is ... coffee in the cup.

THERE IS    HAY  
 THERE ARE

IS THERE ? singular  
 ARE THERE ? plural  
 Hay ?



5

**Grammar**

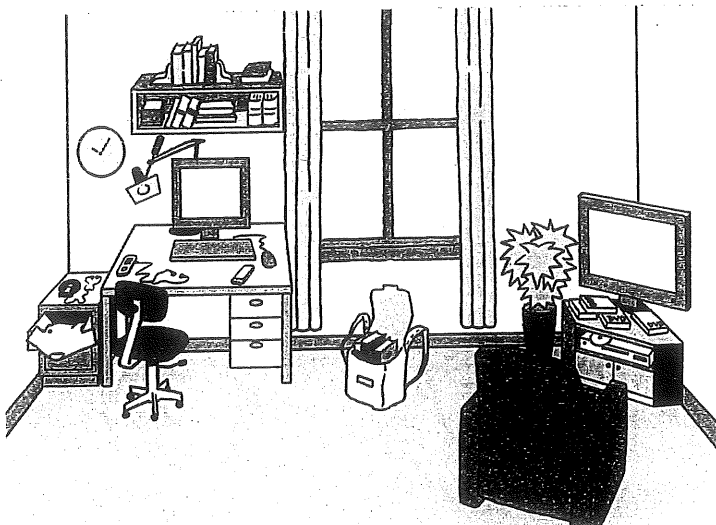
**1** Complete the sentences with the correct affirmative, negative or question form of *there is* or *there are*.

- 1 *Is there* a good film on TV this evening?
- 2 \_\_\_\_\_ some new songs on the band's website.
- 3 \_\_\_\_\_ any curtains.
- 4 \_\_\_\_\_ any good DVDs to watch?
- 5 \_\_\_\_\_ a train to London at 10 o'clock?
- 6 \_\_\_\_\_ a bath. There's only a shower.

**2** Complete the sentences with *a*, *some* or *any*.

- 1 There are \_\_\_\_\_ chairs in the dining room.
- 2 There aren't \_\_\_\_\_ CDs on the shelf.
- 3 Is there \_\_\_\_\_ bath?
- 4 There isn't \_\_\_\_\_ shelf in the bedroom.
- 5 Is there \_\_\_\_\_ TV in the kitchen?
- 6 Are there \_\_\_\_\_ drinks in the fridge?
- 7 There's \_\_\_\_\_ plant next to the table.
- 8 There's \_\_\_\_\_ mobile phone on the desk.

**3a** Write answers to the questions.



- 1 Where's the lamp?  
On the desk, behind the computer.
- 2 Where are the clothes?  
\_\_\_\_\_

- 3 Where's the chair?  
\_\_\_\_\_
- 4 Where are the MP3 player and the mobile phone?  
\_\_\_\_\_
- 5 Where are the DVDs?  
\_\_\_\_\_
- 6 Where's the plant?  
\_\_\_\_\_

**b** Look at the picture for one minute then cover it. Write sentences about everything you remember.

*There are some DVDs under the TV.*  
\_\_\_\_\_  
\_\_\_\_\_  
\_\_\_\_\_

**Vocabulary**

**4** Put the fittings and furniture in the box in the correct room. Some may go in more than one room.

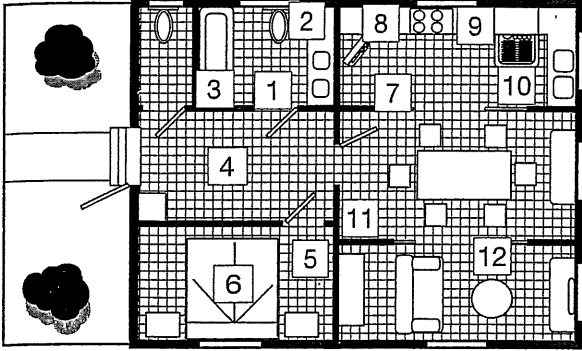
armchair	bath	bed	chair
chest of drawers	cooker	cupboard	curtains
desk	dishwasher	fridge	mirror
shower	sofa	table	toilet
wardrobe	washing machine		

bathroom	bedroom	dining room
	chest of drawers	

hall	kitchen	living room

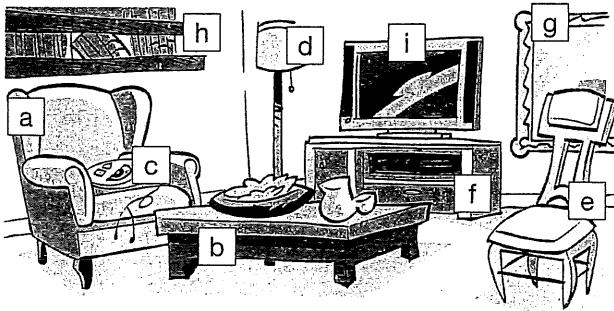
## Progress Test

### 1 Label the rooms and fittings.



- |            |            |
|------------|------------|
| 1 bathroom | 7 _____    |
| 2 _____    | 8 _____    |
| 3 _____    | 9 _____    |
| 4 _____    | 10 Kitchen |
| 5 _____    | 11 _____   |
| 6 _____    | 12 _____   |

### 2 Match the words to the items in the picture.



- |              |                            |          |                          |
|--------------|----------------------------|----------|--------------------------|
| 1 armchair   | <input type="checkbox"/> a | 6 lamp   | <input type="checkbox"/> |
| 2 shelves    | <input type="checkbox"/>   | 7 mirror | <input type="checkbox"/> |
| 3 CD player  | <input type="checkbox"/>   | 8 table  | <input type="checkbox"/> |
| 4 chair      | <input type="checkbox"/>   | 9 TV     | <input type="checkbox"/> |
| 5 DVD player | <input type="checkbox"/>   |          |                          |

### 3a Look at the picture in Exercise 2.

Complete the sentences with *There's a* or *There are some*.

- There's a CD player.
- \_\_\_\_\_ chair.
- \_\_\_\_\_ table.
- \_\_\_\_\_ a mirror.
- \_\_\_\_\_ CDs.

### b Complete the questions and answers.

- Q: Are there any CDs?  
A: Yes, \_\_\_\_\_.
- Q: \_\_\_\_\_ there \_\_\_\_\_ books?  
A: No, there \_\_\_\_\_, and there \_\_\_\_\_ n't \_\_\_\_\_ DVDs.
- Q: \_\_\_\_\_ there \_\_\_\_\_ armchair?  
A: Yes, there \_\_\_\_\_, but there \_\_\_\_\_ n't a sofa.
- Q: \_\_\_\_\_ there \_\_\_\_\_ computer?  
A: No, there \_\_\_\_\_, but there \_\_\_\_\_ TV.

### 4 Match the numbers (1-6) to the correct preposition.

- behind
- in front of
- on
- in
- next to
- under



- |            |         |
|------------|---------|
| 1 on _____ | 4 _____ |
| 2 _____    | 5 _____ |
| 3 _____    | 6 _____ |

### 5 Translate the text into your own language.

Our house isn't very big. There are three bedrooms and a bathroom upstairs, and downstairs there's a living room, a kitchen and a small dining room. There isn't a garden – but there's a park next to our school, and we go there every day.

---



---



---