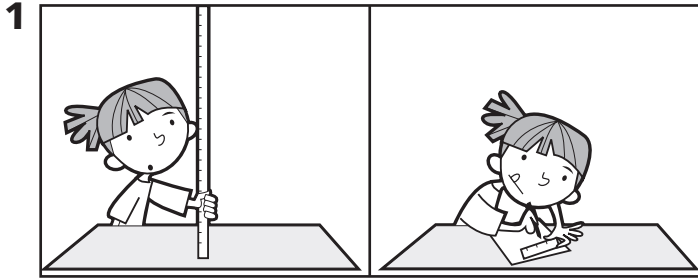
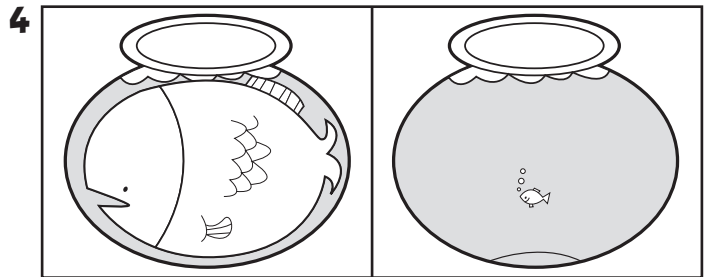
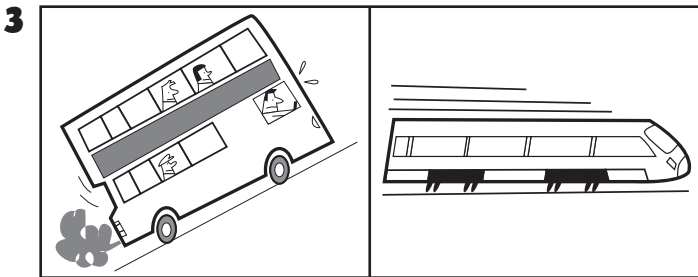
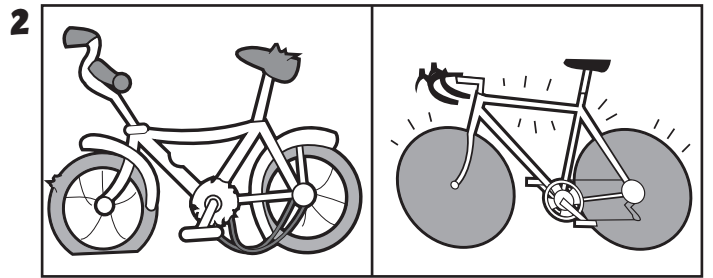


➔ Write.

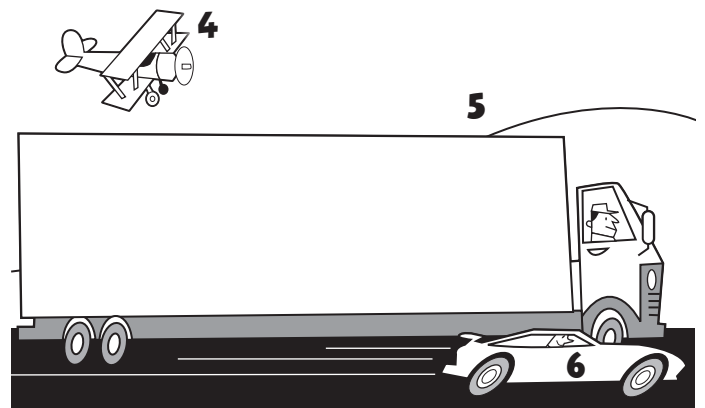
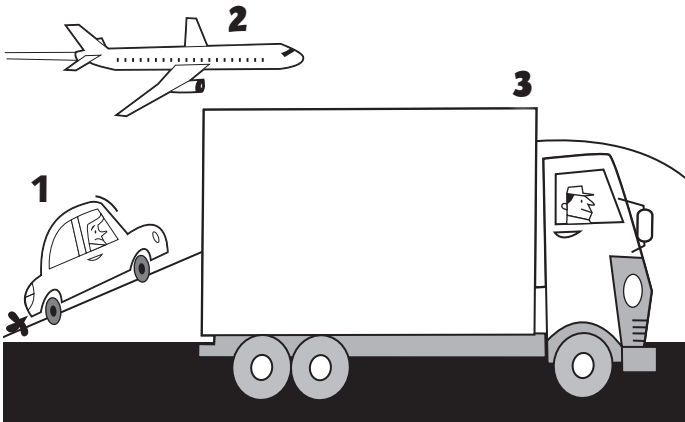
big fast ~~long~~ old new short slow small



long



➔ Look and write.



plane ~~slow~~ big

long fast old

1 It's a slow car.

2 It's a new \_\_\_\_\_.

3 It's a \_\_\_\_\_ lorry.

4 It's an \_\_\_\_\_.

5 It's a \_\_\_\_\_.

6 It's a \_\_\_\_\_.

➔ Look and write.

bedroom kitchen hall garden bathroom living room

➔ Follow and write.

1 She's in the bedroom.

4 She's in the \_\_\_\_\_.

2 He's in the \_\_\_\_\_.

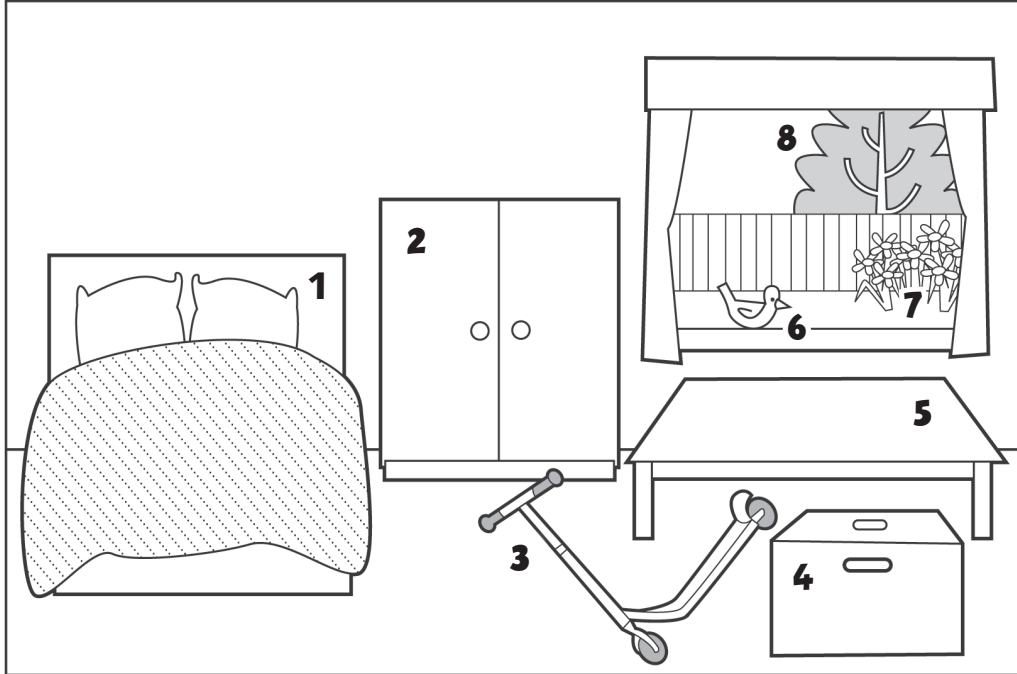
5 He's in the \_\_\_\_\_.

3 She's in the \_\_\_\_\_.

6 He's in the \_\_\_\_\_.

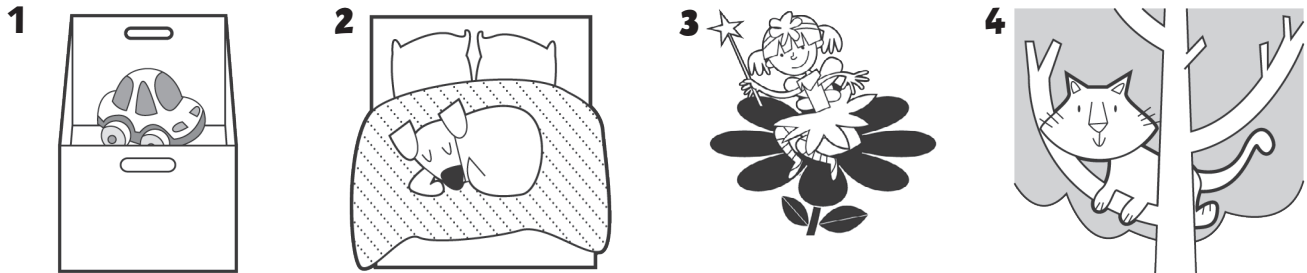
➔ Look and write.

bed bird box cupboard flowers table tree scooter



- 1 bed
- 2 \_\_\_\_\_
- 3 \_\_\_\_\_
- 4 \_\_\_\_\_
- 5 \_\_\_\_\_
- 6 \_\_\_\_\_
- 7 \_\_\_\_\_
- 8 \_\_\_\_\_

➔ Circle and write.



- 1 The car is **in / on** the box.
- 2 The dog is **in / on** the \_\_\_\_\_.
- 3 The girl is **in / on** the \_\_\_\_\_.
- 4 The cat is **in / on** the \_\_\_\_\_.
- 5 The \_\_\_\_\_ is **in / on** the \_\_\_\_\_.
- 6 The \_\_\_\_\_ is **in / on** the \_\_\_\_\_.

