

**CÁLCULO - 1**

$$\begin{array}{r} + \quad 862 \\ \quad 268 \\ \quad 201 \\ \hline \end{array}$$

$$\begin{array}{r} + \quad 288 \\ \quad 898 \\ \quad 982 \\ \hline \end{array}$$

$$\begin{array}{r} + \quad 901 \\ \quad 241 \\ \quad 964 \\ \hline \end{array}$$

$$\begin{array}{r} \quad 6488 \\ - \quad 2014 \\ \hline \end{array}$$

$$\begin{array}{r} \quad 8926 \\ - \quad 2244 \\ \hline \end{array}$$

$$\begin{array}{r} \quad 9860 \\ - \quad 1004 \\ \hline \end{array}$$

$$\begin{array}{r} \quad 4018 \\ \times \quad 26 \\ \hline \end{array}$$

$$\begin{array}{r} \quad 8812 \\ \times \quad 2 \\ \hline \end{array}$$

$$\begin{array}{r} \quad 8004 \\ \times \quad 18 \\ \hline \end{array}$$

$$6242 \quad \left| \quad 6 \right.$$

$$9802 \quad \left| \quad 4 \right.$$

$$8821 \quad \left| \quad 4 \right.$$

$$8422 \quad \left| \quad 8 \right.$$

$$\begin{array}{r} 461 \\ 429 \\ + 900 \\ \hline 240 \end{array}$$

$$\begin{array}{r} 426 \\ 248 \\ + 604 \\ \hline 618 \end{array}$$

$$\begin{array}{r} 801 \\ 148 \\ + 288 \\ \hline 109 \end{array}$$

$$\begin{array}{r} 2688 \\ - 2240 \\ \hline \end{array}$$

$$\begin{array}{r} 2001 \\ - 1998 \\ \hline \end{array}$$

$$\begin{array}{r} 2248 \\ - 2448 \\ \hline \end{array}$$

$$\begin{array}{r} 8014 \\ \times 28 \\ \hline \end{array}$$

$$\begin{array}{r} 4228 \\ \times 9 \\ \hline \end{array}$$

$$\begin{array}{r} 9808 \\ \times 12 \\ \hline \end{array}$$

**6 6 6 9****2****6 8 0 1****8****2 2 4 0****8****8 1 1 6****4**

$$\begin{array}{r} 688 \\ 864 \\ + 201 \\ \hline 602 \end{array}$$

$$\begin{array}{r} 800 \\ 264 \\ + 221 \\ \hline 428 \end{array}$$

$$\begin{array}{r} 922 \\ 888 \\ + 208 \\ \hline 204 \end{array}$$

$$\begin{array}{r} 6421 \\ - 2048 \\ \hline \end{array}$$

$$\begin{array}{r} 6601 \\ - 6201 \\ \hline \end{array}$$

$$\begin{array}{r} 8890 \\ - 4008 \\ \hline \end{array}$$

$$\begin{array}{r} 2688 \\ \times 9 \\ \hline \end{array}$$

$$\begin{array}{r} 4008 \\ \times 28 \\ \hline \end{array}$$

$$\begin{array}{r} 4408 \\ \times 41 \\ \hline \end{array}$$

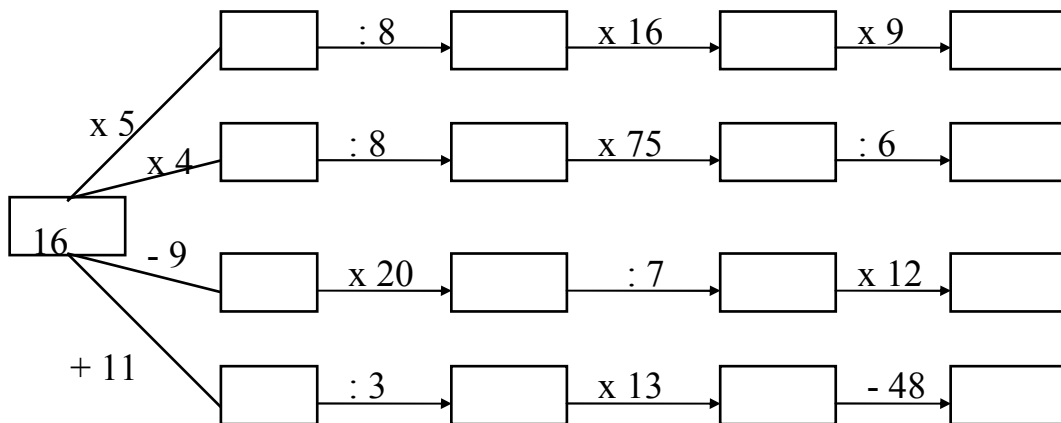
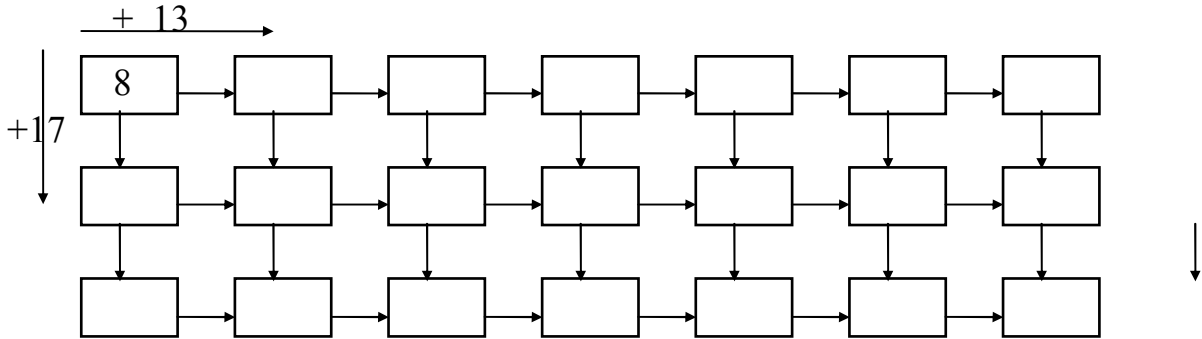
$$6688 \quad \left| \begin{array}{l} 2 \\ \hline \end{array} \right.$$

$$6488 \quad \left| \begin{array}{l} 8 \\ \hline \end{array} \right.$$

$$6011 \quad \left| \begin{array}{l} 4 \\ \hline \end{array} \right.$$

$$9804 \quad \left| \begin{array}{l} 2 \\ \hline \end{array} \right.$$

Completa :



**CÁLCULO - 2**

$$\begin{array}{r} 868 \\ + 84 \\ \hline 222 \end{array}$$

$$\begin{array}{r} 901 \\ + 146 \\ \hline 44 \end{array}$$

$$\begin{array}{r} 921 \\ + 961 \\ \hline 824 \end{array}$$

$$\begin{array}{r} 6488 \\ - 221 \\ \hline \end{array}$$

$$\begin{array}{r} 2004 \\ - 2688 \\ \hline \end{array}$$

$$\begin{array}{r} 2482 \\ - 104 \\ \hline \end{array}$$

$$\begin{array}{r} 2612 \\ \times 48 \\ \hline \end{array}$$

$$\begin{array}{r} 9224 \\ \times 6 \\ \hline \end{array}$$

$$\begin{array}{r} 2624 \\ \times 24 \\ \hline \end{array}$$

$$9801 \quad \left| \quad 4 \right.$$

$$4$$

$$1116 \quad \left| \quad 4 \right.$$

$$4$$

$$2404 \quad \left| \quad 8 \right.$$

$$8$$

$$2006 \quad \left| \quad 9 \right.$$

$$9$$

$$\begin{array}{r} 264 \\ 24 \\ + 982 \\ \hline 112 \end{array}$$

$$\begin{array}{r} 916 \\ 984 \\ + 66 \\ \hline 202 \end{array}$$

$$\begin{array}{r} 888 \\ 61 \\ + 88 \\ \hline 186 \end{array}$$

$$\begin{array}{r} 8418 \\ - 120 \\ \hline \end{array}$$

$$\begin{array}{r} 9021 \\ - 2902 \\ \hline \end{array}$$

$$\begin{array}{r} 4411 \\ - 118 \\ \hline \end{array}$$

$$\begin{array}{r} 2221 \\ \times 41 \\ \hline \end{array}$$

$$\begin{array}{r} 6948 \\ \times 2 \\ \hline \end{array}$$

$$\begin{array}{r} 4418 \\ \times 24 \\ \hline \end{array}$$

**8 0 0 4****8****2 2 1 8****2****2 4 4 6****4****9 8 8 1****2**

$$\begin{array}{r} 48 \\ 826 \\ + 21 \\ \hline 642 \end{array}$$

$$\begin{array}{r} 620 \\ 294 \\ + 281 \\ \hline 48 \end{array}$$

$$\begin{array}{r} 892 \\ 84 \\ + 228 \\ \hline 284 \end{array}$$

$$\begin{array}{r} 2998 \\ - 124 \\ \hline \end{array}$$

$$\begin{array}{r} 4222 \\ - 1009 \\ \hline \end{array}$$

$$\begin{array}{r} 2222 \\ - 286 \\ \hline \end{array}$$

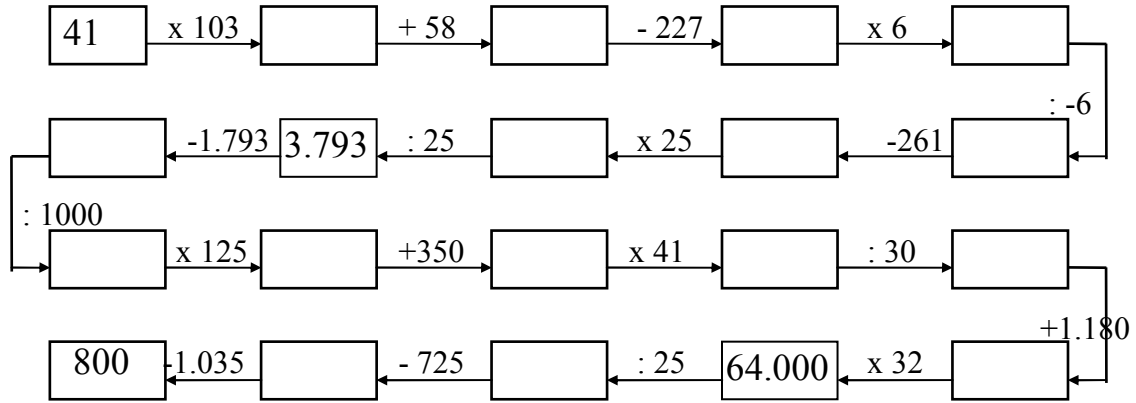
$$\begin{array}{r} 4461 \\ \times 8 \\ \hline \end{array}$$

$$\begin{array}{r} 4908 \\ \times 12 \\ \hline \end{array}$$

$$\begin{array}{r} 2828 \\ \times 4 \\ \hline \end{array}$$

**4 6 8 8****2****8 1 0 1****4****2 2 2 6****8****8 8 4 4****6**

Completa la carrera de obstáculos:





## CÁLCULO - 3

$$\begin{array}{r}
 4886 \\
 802 \\
 + 4461 \\
 960 \\
 \hline
 \end{array}$$

$$\begin{array}{r}
 6621 \\
 608 \\
 + 904 \\
 9881 \\
 \hline
 \end{array}$$

$$\begin{array}{r}
 211 \\
 9011 \\
 + 242 \\
 1182 \\
 \hline
 \end{array}$$

$$\begin{array}{r}
 28262 \\
 - 2268 \\
 \hline
 \end{array}$$

$$\begin{array}{r}
 96886 \\
 - 1022 \\
 \hline
 \end{array}$$

$$\begin{array}{r}
 11688 \\
 - 10188 \\
 \hline
 \end{array}$$

$$\begin{array}{r}
 46201 \\
 \times 21 \\
 \hline
 \end{array}$$

$$\begin{array}{r}
 10006 \\
 \times 62 \\
 \hline
 \end{array}$$

$$\begin{array}{r}
 10406 \\
 \times 24 \\
 \hline
 \end{array}$$

$$864 \quad \left| \begin{array}{l} 21 \\ \hline \end{array} \right.$$

$$626 \quad \left| \begin{array}{l} 41 \\ \hline \end{array} \right.$$

$$280922 \quad \left| \begin{array}{l} 8 \\ \hline \end{array} \right.$$

$$811184 \quad \left| \begin{array}{l} 9 \\ \hline \end{array} \right.$$

$$\begin{array}{r} 6484 \\ 402 \\ + 1402 \\ \hline 892 \end{array}$$

$$\begin{array}{r} 888 \\ 2604 \\ + 8886 \\ \hline 221 \end{array}$$

$$\begin{array}{r} 428 \\ 1211 \\ + 461 \\ \hline 6444 \end{array}$$

$$\begin{array}{r} 82064 \\ - 24446 \\ \hline \end{array}$$

$$\begin{array}{r} 90816 \\ - 4289 \\ \hline \end{array}$$

$$\begin{array}{r} 24082 \\ - 1468 \\ \hline \end{array}$$

$$\begin{array}{r} 46208 \\ \times 82 \\ \hline \end{array}$$

$$\begin{array}{r} 20084 \\ \times 4 \\ \hline \end{array}$$

$$\begin{array}{r} 88462 \\ \times 68 \\ \hline \end{array}$$

$$462 \quad \left| \begin{array}{r} 28 \\ \hline \end{array} \right.$$

$$281 \quad \left| \begin{array}{r} 44 \\ \hline \end{array} \right.$$

$$822662 \quad \left| \begin{array}{r} 8 \\ \hline \end{array} \right.$$

$$122421 \quad \left| \begin{array}{r} 8 \\ \hline \end{array} \right.$$

$$\begin{array}{r}
 468 \\
 2444 \\
 + 6628 \\
 \hline
 881
 \end{array}$$

$$\begin{array}{r}
 8944 \\
 894 \\
 + 2001 \\
 \hline
 111
 \end{array}$$

$$\begin{array}{r}
 9008 \\
 4684 \\
 + 8448 \\
 \hline
 2124
 \end{array}$$

$$\begin{array}{r}
 44426 \\
 - 2249 \\
 \hline
 \end{array}$$

$$\begin{array}{r}
 98822 \\
 - 4621 \\
 \hline
 \end{array}$$

$$\begin{array}{r}
 21100 \\
 - 28886 \\
 \hline
 \end{array}$$

$$\begin{array}{r}
 20002 \\
 \times 28 \\
 \hline
 \end{array}$$

$$\begin{array}{r}
 12848 \\
 \times 48 \\
 \hline
 \end{array}$$

$$\begin{array}{r}
 12088 \\
 \times 2 \\
 \hline
 \end{array}$$

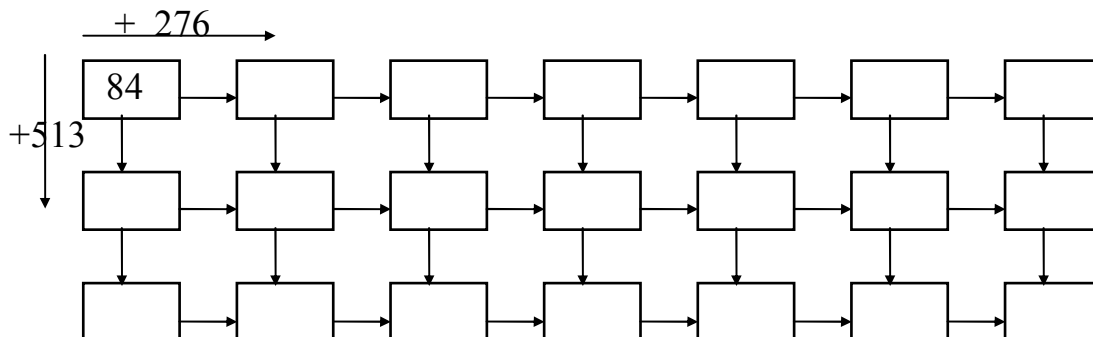
$$\begin{array}{r}
 468 \quad | \quad 12 \\
 \hline
 \end{array}$$

$$\begin{array}{r}
 242 \quad | \quad 16 \\
 \hline
 \end{array}$$

$$\begin{array}{r}
 446909 \quad | \quad 8 \\
 \hline
 \end{array}$$

$$\begin{array}{r}
 224410 \quad | \quad 8 \\
 \hline
 \end{array}$$

Completa la serie:



**AVERIGUA: “Establecimiento público donde hay juegos de azar”**

Operaciones	$(848 \times 4) - 882$	$1.988 - 841 - 248$	$(48 \times 108) - 4.040$	$446 \times 22$	$(2.486 - 1.844) + 608$	$11.480 : 8$
<b>Resultado</b>						
<b>Letra</b>						
<b>Nombre</b>						

**CLAVE:**

$22.980 = C$	$1.642 = S$	$2.060 = N$	$2.662 = I$	$2.042 = O$
$910 = A$	$900 = A$	$1.446 = S$	$1.060 = N$	$2.622 = I$

**CÁLCULO - 4**

$$\begin{array}{r} 488 \\ 8002 \\ + 441 \\ \hline 4880 \end{array}$$

$$\begin{array}{r} 8821 \\ 8048 \\ + 404 \\ \hline 4881 \end{array}$$

$$\begin{array}{r} 2211 \\ 811 \\ + 8242 \\ \hline 1182 \end{array}$$

$$\begin{array}{r} 88246 \\ - 4402 \\ \hline \end{array}$$

$$\begin{array}{r} 82410 \\ - 28981 \\ \hline \end{array}$$

$$\begin{array}{r} 44401 \\ - 24210 \\ \hline \end{array}$$

$$\begin{array}{r} 80042 \\ \times 22 \\ \hline \end{array}$$

$$\begin{array}{r} 24044 \\ \times 88 \\ \hline \end{array}$$

$$\begin{array}{r} 44612 \\ \times 19 \\ \hline \end{array}$$

$$824462 \mid 8$$

$$224486 \mid 2$$

$$8244 \mid 12$$

$$4801 \mid 26$$

$$\begin{array}{r}
 8822 \\
 4886 \\
 + 2649 \\
 \hline
 244
 \end{array}$$

$$\begin{array}{r}
 1006 \\
 2440 \\
 + 126 \\
 \hline
 9841
 \end{array}$$

$$\begin{array}{r}
 1242 \\
 461 \\
 + 4020 \\
 \hline
 1004
 \end{array}$$

$$\begin{array}{r}
 66428 \\
 - 1426 \\
 \hline
 \end{array}$$

$$\begin{array}{r}
 22228 \\
 - 20009 \\
 \hline
 \end{array}$$

$$\begin{array}{r}
 82988 \\
 - 4228 \\
 \hline
 \end{array}$$

$$\begin{array}{r}
 20098 \\
 \times 41 \\
 \hline
 \end{array}$$

$$\begin{array}{r}
 11004 \\
 \times 9 \\
 \hline
 \end{array}$$

$$\begin{array}{r}
 84241 \\
 \times 82 \\
 \hline
 \end{array}$$

$$988464 \mid 4$$

$$120261 \mid 6$$

$$8842 \mid 18$$

$$2898 \mid 24$$

$$\begin{array}{r} 4461 \\ 8824 \\ + 118 \\ \hline 4446 \end{array}$$

$$\begin{array}{r} 484 \\ 2894 \\ + 8201 \\ \hline 182 \end{array}$$

$$\begin{array}{r} 1120 \\ 4410 \\ + 900 \\ \hline 1004 \end{array}$$

$$\begin{array}{r} 98844 \\ - 2246 \\ \hline \end{array}$$

$$\begin{array}{r} 46422 \\ - 2824 \\ \hline \end{array}$$

$$\begin{array}{r} 11200 \\ - 10046 \\ \hline \end{array}$$

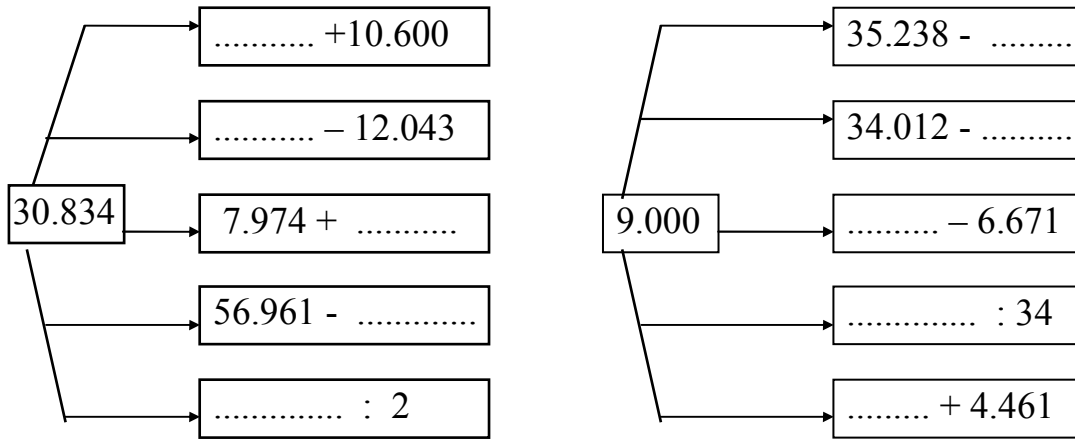
$$\begin{array}{r} 88486 \\ \times 8 \\ \hline \end{array}$$

$$\begin{array}{r} 26248 \\ \times 42 \\ \hline \end{array}$$

$$\begin{array}{r} 90002 \\ \times 48 \\ \hline \end{array}$$

**8 8 2 8 4 2****9****2 8 8 8 4 2****2****2 2 2 2****2 4****9 9 4 4****8 2**

Completa:



**AVERIGUA: “Cuerpo mineral duro y compacto”**

Operaciones	26.494 : 8	4.092 +2.422 -628	8.049 -2.822 -4.049	(2.222x 8) - 9.081	(844x62)- 26.102	42.244 : 2
Resultado						
Letra						
Nombre						

CLAVE:

6.941 = R	844 = A	8.049 = P	2.941 = R	1.284 = E
8.149 = P	9.442 = A	21.698 = I	8.296 = D	2.2.84 = E



**CÁLCULO - 5**

$$\begin{array}{r} 4628 \\ 1822 \\ + 2281 \\ 8298 \\ \hline \end{array}$$

$$\begin{array}{r} 9802 \\ 8240 \\ + 810 \\ 4442 \\ \hline \end{array}$$

$$\begin{array}{r} 8200 \\ 2248 \\ + 4112 \\ 2002 \\ \hline \end{array}$$

$$\begin{array}{r} 88888 \\ - 4464 \\ \hline \end{array}$$

$$\begin{array}{r} 22222 \\ - 4844 \\ \hline \end{array}$$

$$\begin{array}{r} 66666 \\ - 22282 \\ \hline \end{array}$$

$$\begin{array}{r} 20004 \\ \times 21 \\ \hline \end{array}$$

$$\begin{array}{r} 9426 \\ \times 142 \\ \hline \end{array}$$

$$\begin{array}{r} 88844 \\ \times 80 \\ \hline \end{array}$$

$$8862 \quad \left| \begin{array}{r} 182 \\ \hline \end{array} \right.$$

$$8466 \quad \left| \begin{array}{r} 442 \\ \hline \end{array} \right.$$

$$82044 \quad \left| \begin{array}{r} 12 \\ \hline \end{array} \right.$$

$$44801 \quad \left| \begin{array}{r} 46 \\ \hline \end{array} \right.$$

$$\begin{array}{r} 4464 \\ 449 \\ + 6819 \\ \hline 6414 \end{array}$$

$$\begin{array}{r} 8806 \\ 4440 \\ + 8244 \\ \hline 480 \end{array}$$

$$\begin{array}{r} 1222 \\ 488 \\ + 2214 \\ \hline 224 \end{array}$$

$$\begin{array}{r} 82264 \\ - 2261 \\ \hline \end{array}$$

$$\begin{array}{r} 88401 \\ - 22441 \\ \hline \end{array}$$

$$\begin{array}{r} 88442 \\ - 40022 \\ \hline \end{array}$$

$$\begin{array}{r} 46421 \\ \times 48 \\ \hline \end{array}$$

$$\begin{array}{r} 1082 \\ \times 249 \\ \hline \end{array}$$

$$\begin{array}{r} 88041 \\ \times 18 \\ \hline \end{array}$$

$$6620 \quad | \quad \underline{204}$$

$$6822 \quad | \quad \underline{486}$$

$$88842 \quad | \quad \underline{64}$$

$$88248 \quad | \quad \underline{21}$$

$$\begin{array}{r} 2264 \\ 8092 \\ + 462 \\ \hline 8446 \end{array}$$

$$\begin{array}{r} 8214 \\ 886 \\ + 1224 \\ \hline 8002 \end{array}$$

$$\begin{array}{r} 1990 \\ 8210 \\ + 6228 \\ \hline 814 \end{array}$$

$$\begin{array}{r} 82264 \\ - 18846 \\ \hline \end{array}$$

$$\begin{array}{r} 64422 \\ - 20994 \\ \hline \end{array}$$

$$\begin{array}{r} 92660 \\ - 8266 \\ \hline \end{array}$$

$$\begin{array}{r} 66288 \\ \times 26 \\ \hline \end{array}$$

$$\begin{array}{r} 2268 \\ \times 124 \\ \hline \end{array}$$

$$\begin{array}{r} 91112 \\ \times 22 \\ \hline \end{array}$$

$$\begin{array}{r} 9884 \\ \hline 224 \end{array}$$

$$\begin{array}{r} 8242 \\ \hline 218 \end{array}$$

$$\begin{array}{r} 46214 \\ \hline 18 \end{array}$$

$$\begin{array}{r} 42001 \\ \hline 29 \end{array}$$

AVERIGUA: "Quiebran o hacen pedazos"

<b>Operaciones</b>	<b>84.044 : 4</b>	<b>(2.446- 218) x 12</b>	<b>(848 x 19) - 9.112</b>	<b>4.482 +2.412 +2.020 +4.102</b>	<b>(4.024x9) - 11.602</b>	<b>(8.092 - 1.042)x 2</b>
Resultado						
Letra						
Nombre						

CLAVE:

42.484 = M	16.904 = R	20.842 = O	26.021 = E	8.000 = N
20.842 = O	8.100 = N	42.484 = M	28.281 = P	16.924 = R

## CÁLCULO - 6

$$\begin{array}{r}
 6222 \\
 884 \\
 + 1102 \\
 990 \\
 8842 \\
 \hline
 \end{array}$$

$$\begin{array}{r}
 894 \\
 1190 \\
 + 8202 \\
 122 \\
 9444 \\
 \hline
 \end{array}$$

$$\begin{array}{r}
 806 \\
 9844 \\
 + 9881 \\
 222 \\
 1202 \\
 \hline
 \end{array}$$

$$\begin{array}{r}
 48621 \\
 - 12980 \\
 \hline
 \end{array}$$

$$\begin{array}{r}
 90488 \\
 - 4221 \\
 \hline
 \end{array}$$

$$\begin{array}{r}
 22091 \\
 - 1828 \\
 \hline
 \end{array}$$

$$\begin{array}{r}
 28426 \\
 \times 421 \\
 \hline
 \end{array}$$

$$\begin{array}{r}
 91126 \\
 \times 81 \\
 \hline
 \end{array}$$

$$\begin{array}{r}
 11002 \\
 \times 206 \\
 \hline
 \end{array}$$

$$\begin{array}{r}
 82486 \quad | \quad 401 \\
 \hline
 \end{array}$$

$$\begin{array}{r}
 62882 \quad | \quad 442 \\
 \hline
 \end{array}$$

$$\begin{array}{r}
 282621 \quad | \quad 14 \\
 \hline
 \end{array}$$

$$\begin{array}{r}
 122464 \quad | \quad 28 \\
 \hline
 \end{array}$$

$$\begin{array}{r}
 4462 \\
 2200 \\
 + 284 \\
 \hline
 4214 \\
 8842
 \end{array}$$

$$\begin{array}{r}
 4606 \\
 9881 \\
 + 6466 \\
 \hline
 428 \\
 2004
 \end{array}$$

$$\begin{array}{r}
 282 \\
 8406 \\
 + 6112 \\
 \hline
 824 \\
 8262
 \end{array}$$

$$\begin{array}{r}
 22242 \\
 - 1228 \\
 \hline
 \end{array}$$

$$\begin{array}{r}
 48821 \\
 - 28200 \\
 \hline
 \end{array}$$

$$\begin{array}{r}
 88208 \\
 - 4824 \\
 \hline
 \end{array}$$

$$\begin{array}{r}
 88240 \\
 \times 204 \\
 \hline
 \end{array}$$

$$\begin{array}{r}
 12222 \\
 \times 22 \\
 \hline
 \end{array}$$

$$\begin{array}{r}
 46211 \\
 \times 102 \\
 \hline
 \end{array}$$

$$48864 \quad \Big| \quad 486$$

$$224644 \quad \Big| \quad 419$$

$$884011 \quad \Big| \quad 88$$

$$98448 \quad \Big| \quad 84$$

$$\begin{array}{r} 8822 \\ 242 \\ + 4681 \\ 24 \\ \hline 2644 \end{array}$$

$$\begin{array}{r} 8002 \\ 846 \\ + 2642 \\ 8009 \\ \hline 8880 \end{array}$$

$$\begin{array}{r} 9098 \\ 106 \\ + 2688 \\ 100 \\ \hline 21 \end{array}$$

$$\begin{array}{r} 11844 \\ - 4482 \\ \hline \end{array}$$

$$\begin{array}{r} 88442 \\ - 88446 \\ \hline \end{array}$$

$$\begin{array}{r} 24098 \\ - 1144 \\ \hline \end{array}$$

$$\begin{array}{r} 88288 \\ \times 408 \\ \hline \end{array}$$

$$\begin{array}{r} 22464 \\ \times 82 \\ \hline \end{array}$$

$$\begin{array}{r} 81098 \\ \times 108 \\ \hline \end{array}$$

$$884266 \left| \begin{array}{l} 241 \\ \hline \end{array} \right.$$

$$44266 \left| \begin{array}{l} 82 \\ \hline \end{array} \right.$$

$$222404 \left| \begin{array}{l} 68 \\ \hline \end{array} \right.$$

$$12986 \left| \begin{array}{l} 642 \\ \hline \end{array} \right.$$

**AVERIGUA:** "Deportista de la categoría anterior a la infantil"

<b>Operaciones</b>	<b>2.192 : 12</b>	<b>(408 x 8) - 1.249</b>	<b>(491 x12 ) - 1.029</b>	<b>(9.400 - 224) x 4</b>	<b>6.446 + 1.422 + 2.082 + 402</b>	<b>1.008 : 48</b>
Resultado						
Letra						
Nombre						

**CLAVE:**

<b>9.049 = E</b>	<b>21 = A</b>	<b>9.049 = E</b>	<b>1.229 = L</b>	<b>28.228 = V</b>
<b>28.111 = V</b>	<b>148 = N</b>	<b>1.210 = L</b>	<b>6.228 = I</b>	<b>148 = N</b>



**CÁLCULO - 7**

$$\begin{array}{r}
 8464 \\
 88424 \\
 + 8891 \\
 2420 \\
 44241 \\
 \hline
 \end{array}$$

$$\begin{array}{r}
 82466 \\
 9004 \\
 + 1426 \\
 88240 \\
 902 \\
 \hline
 \end{array}$$

$$\begin{array}{r}
 8446 \\
 8801 \\
 + 12009 \\
 82102 \\
 9046 \\
 \hline
 \end{array}$$

$$\begin{array}{r}
 82480 \\
 - 2282 \\
 \hline
 \end{array}$$

$$\begin{array}{r}
 24400 \\
 - 11984 \\
 \hline
 \end{array}$$

$$\begin{array}{r}
 82421 \\
 - 44881 \\
 \hline
 \end{array}$$

$$\begin{array}{r}
 64404 \\
 \times 862 \\
 \hline
 \end{array}$$

$$\begin{array}{r}
 98084 \\
 \times 94 \\
 \hline
 \end{array}$$

$$\begin{array}{r}
 11068 \\
 \times 804 \\
 \hline
 \end{array}$$

$$884602 \quad \Big| \quad 924$$

$$900882 \quad \Big| \quad 28$$

$$649891 \quad \Big| \quad 42$$

$$298424 \quad \Big| \quad 249$$

$$\begin{array}{r} 66424 \\ 22624 \\ + 1124 \\ 9882 \\ 84264 \\ \hline \end{array}$$

$$\begin{array}{r} 6429 \\ 26444 \\ + 88801 \\ 2448 \\ 2206 \\ \hline \end{array}$$

$$\begin{array}{r} 88242 \\ 9990 \\ + 2600 \\ 99081 \\ 6466 \\ \hline \end{array}$$

$$\begin{array}{r} 42644 \\ - 22884 \\ \hline \end{array}$$

$$\begin{array}{r} 98820 \\ - 9004 \\ \hline \end{array}$$

$$\begin{array}{r} 20009 \\ - 2442 \\ \hline \end{array}$$

$$\begin{array}{r} 26442 \\ \times 820 \\ \hline \end{array}$$

$$\begin{array}{r} 888824 \\ \times 49 \\ \hline \end{array}$$

$$\begin{array}{r} 88400 \\ \times 404 \\ \hline \end{array}$$

$$822284 \quad | \quad 22$$

$$888401 \quad | \quad 640$$

$$444804 \quad | \quad 224$$

$$264409 \quad | \quad 81$$

$$\begin{array}{r}
 22624 \\
 4426 \\
 + 8826 \\
 \hline
 98880 \\
 2622 \\
 \hline
 \end{array}$$

$$\begin{array}{r}
 90009 \\
 8408 \\
 + 88264 \\
 \hline
 84684 \\
 2640 \\
 \hline
 \end{array}$$

$$\begin{array}{r}
 88200 \\
 6420 \\
 + 12404 \\
 \hline
 81100 \\
 8829 \\
 \hline
 \end{array}$$

$$\begin{array}{r}
 88426 \\
 - 26220 \\
 \hline
 \end{array}$$

$$\begin{array}{r}
 20000 \\
 - 28820 \\
 \hline
 \end{array}$$

$$\begin{array}{r}
 84260 \\
 - 44640 \\
 \hline
 \end{array}$$

$$\begin{array}{r}
 88201 \\
 \times 220 \\
 \hline
 \end{array}$$

$$\begin{array}{r}
 888464 \\
 \times 44 \\
 \hline
 \end{array}$$

$$\begin{array}{r}
 90002 \\
 \times 808 \\
 \hline
 \end{array}$$

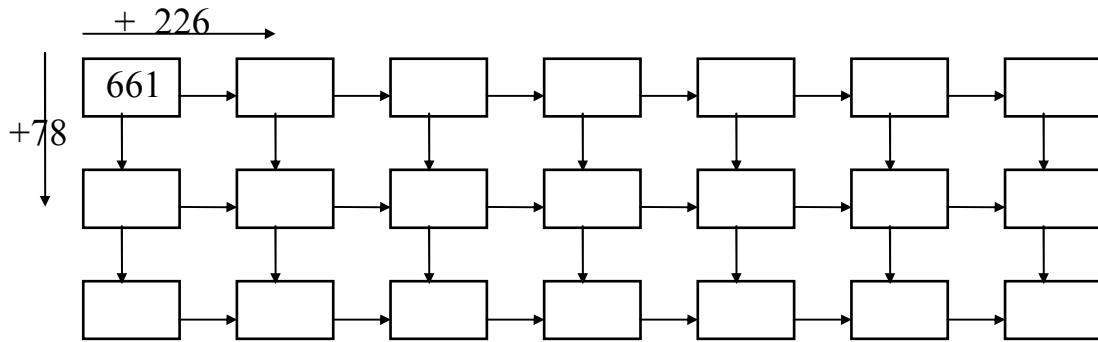
$$288900 \left| \begin{array}{l} 428 \\ \hline \end{array} \right.$$

$$820004 \left| \begin{array}{l} 21 \\ \hline \end{array} \right.$$

$$888201 \left| \begin{array}{l} 840 \\ \hline \end{array} \right.$$

$$884268 \left| \begin{array}{l} 26 \\ \hline \end{array} \right.$$

Completa la serie:



---

**CÁLCULO - 8**

$$\begin{array}{r} 84,82 \\ + 26,24 \\ \hline \end{array}$$

$$\begin{array}{r} 12,88 \\ + 18,42 \\ \hline \end{array}$$

$$\begin{array}{r} 14,42 \\ + 49,92 \\ \hline \end{array}$$

**Coloca y suma:**

$$\begin{array}{r} 44,84 \\ 46,81 \\ 62,82 \end{array} + \begin{array}{r} 26,88 \\ 81,09 \\ 24,91 \end{array}$$

$$\begin{array}{r} 88,02 \\ - 62,98 \\ \hline \end{array}$$

$$\begin{array}{r} 64,08 \\ - 41,08 \\ \hline \end{array}$$

$$\begin{array}{r} 92,18 \\ - 81,14 \\ \hline \end{array}$$

**Coloca y resta:**

$$\begin{array}{r} 24,82 \\ 6,88 \\ 26,82 \end{array} - \begin{array}{r} 12,88 \\ 2,02 \\ 18,2 \end{array}$$

$$\begin{array}{r} 26,89 \\ + 44,81 \\ \hline \end{array}$$

$$\begin{array}{r} 16,18 \\ + 44,42 \\ \hline \end{array}$$

$$\begin{array}{r} 90,11 \\ + 21,82 \\ \hline \end{array}$$

**Coloca y suma:**

$$\begin{array}{r} 22,89 \\ 44,09 \\ 10,02 \end{array} + \begin{array}{r} 8,82 \\ 11,8 \\ 8,22 \end{array}$$

$$\begin{array}{r} 44,84 \\ - 12,28 \\ \hline \end{array}$$

$$\begin{array}{r} 11,12 \\ - 2,66 \\ \hline \end{array}$$

$$\begin{array}{r} 90,98 \\ - 41,88 \\ \hline \end{array}$$

**Coloca y resta:**

$$\begin{array}{r} 42,89 \\ 22,48 \\ 44,8 \end{array} - \begin{array}{r} 0,94 \\ 16,84 \\ 9,12 \end{array}$$

$$\begin{array}{r} 66,28 \\ + 48,22 \\ \hline \end{array}$$

$$\begin{array}{r} 41,26 \\ + 26,26 \\ \hline \end{array}$$

$$\begin{array}{r} 24,88 \\ + 99,14 \\ \hline \end{array}$$

Coloca y suma:

$$\begin{array}{r} 6,4 \\ 84,24 \\ 0,84 \end{array} + \begin{array}{r} 21,88 \\ 24,88 \\ 2,89 \end{array}$$

$$\begin{array}{r} 82,26 \\ - 28,64 \\ \hline \end{array}$$

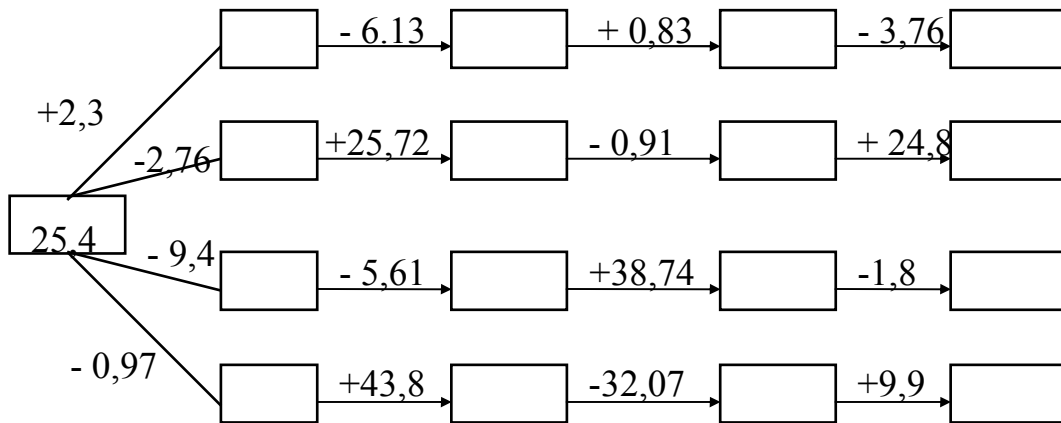
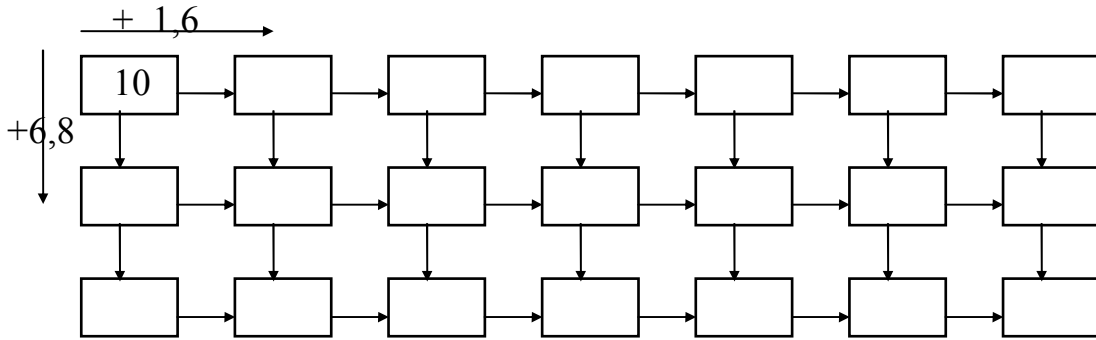
$$\begin{array}{r} 42,88 \\ - 20,08 \\ \hline \end{array}$$

$$\begin{array}{r} 21,22 \\ - 42,22 \\ \hline \end{array}$$

Coloca y resta:

$$\begin{array}{r} 88,24 \\ 82,64 \\ 8,88 \end{array} - \begin{array}{r} 28,86 \\ 28,94 \\ 0,92 \end{array}$$

Completa la serie:





## CÁLCULO - 9

$$\begin{array}{r} 24,66 \\ + 4,8 \\ \hline \end{array}$$

$$\begin{array}{r} 82,88 \\ + 8,4 \\ \hline \end{array}$$

$$\begin{array}{r} 62,12 \\ + 8,02 \\ \hline \end{array}$$

Coloca y suma:

$$\begin{array}{r} 82,11 \\ 22,1 \\ 28,02 \end{array} + \begin{array}{r} 6,02 \\ 22,08 \\ 24,8 \end{array}$$

$$\begin{array}{r} 89,22 \\ - 42,8 \\ \hline \end{array}$$

$$\begin{array}{r} 81,88 \\ - 2,68 \\ \hline \end{array}$$

$$\begin{array}{r} 84,88 \\ - 18,24 \\ \hline \end{array}$$

Coloca y resta:

$$\begin{array}{r} 84,16 \\ 2,18 \\ 82,01 \end{array} - \begin{array}{r} 44,84 \\ 4,42 \\ 48,2 \end{array}$$

$$\begin{array}{r} 12,09 \\ + 61,2 \\ \hline \end{array}$$

$$\begin{array}{r} 62,88 \\ + 2,44 \\ \hline \end{array}$$

$$\begin{array}{r} 80,42 \\ + 88,42 \\ \hline \end{array}$$

**Coloca y suma:**

$$48,29 + 4,18$$

$$94,22 + 88,4$$

$$44,26 + 8,22$$

$$\begin{array}{r} 48,14 \\ - 42,8 \\ \hline \end{array}$$

$$\begin{array}{r} 82,02 \\ - 9,06 \\ \hline \end{array}$$

$$\begin{array}{r} 24,28 \\ - 20,28 \\ \hline \end{array}$$

**Coloca y resta:**

$$84,29 - 8,94$$

$$22,11 - 46,42$$

$$98,8 - 8,22$$

$$\begin{array}{r} 22,02 \\ + 24,84 \\ \hline \end{array}$$

$$\begin{array}{r} 8,46 \\ + 22,02 \\ \hline \end{array}$$

$$\begin{array}{r} 48,01 \\ + 28,42 \\ \hline \end{array}$$

Coloca y suma:

$$\begin{array}{r} 4,8 \\ 94,14 \\ 24,14 \end{array} + \begin{array}{r} 61,22 \\ 84,44 \\ 22,48 \end{array}$$

$$\begin{array}{r} 84,16 \\ - 1,04 \\ \hline \end{array}$$

$$\begin{array}{r} 42,22 \\ - 22,22 \\ \hline \end{array}$$

$$\begin{array}{r} 41,66 \\ - 24,2 \\ \hline \end{array}$$

Coloca y resta:

$$\begin{array}{r} 82,02 \\ 22,22 \\ 4,84 \end{array} - \begin{array}{r} 42,82 \\ 10,64 \\ 0,18 \end{array}$$

**CÁLCULO - 10**

$$\begin{array}{r} 42,98 \\ + 88,82 \\ 28,8 \\ \hline 44,28 \end{array}$$

$$\begin{array}{r} 12,24 \\ + 44,82 \\ 44,81 \\ 8,22 \\ \hline \end{array}$$

$$\begin{array}{r} 82,88 \\ + 44,88 \\ 80,08 \\ 0,44 \\ \hline \end{array}$$

$$\begin{array}{r} 44,882 \\ - 12,422 \\ \hline \end{array}$$

$$\begin{array}{r} 128,89 \\ - 46,92 \\ \hline \end{array}$$

$$\begin{array}{r} 164,98 \\ - 64,1 \\ \hline \end{array}$$

$$\begin{array}{r} 2,826 \\ \times 2,6 \\ \hline \end{array}$$

$$\begin{array}{r} 0,024 \\ \times 1,2 \\ \hline \end{array}$$

$$\begin{array}{r} 264,8 \\ \times 6,8 \\ \hline \end{array}$$

$$268'888$$

$$\left| \begin{array}{r} 2'4 \\ \hline \end{array} \right.$$

$$24'9844$$

$$\left| \begin{array}{r} 0'24 \\ \hline \end{array} \right.$$

$$8268'44$$

$$\left| \begin{array}{r} 46 \\ \hline \end{array} \right.$$

$$2'88862$$

$$\left| \begin{array}{r} 0'41 \\ \hline \end{array} \right.$$

$$\begin{array}{r}
 64,98 \\
 + 42,86 \\
 \hline
 22,22 \\
 26,82
 \end{array}$$

$$\begin{array}{r}
 19,04 \\
 + 68,98 \\
 \hline
 11,01 \\
 6,24
 \end{array}$$

$$\begin{array}{r}
 6,8 \\
 + 81,88 \\
 \hline
 22,89 \\
 24,08
 \end{array}$$

$$\begin{array}{r}
 8,0984 \\
 - 6,984 \\
 \hline
 \end{array}$$

$$\begin{array}{r}
 64,884 \\
 - 41,948 \\
 \hline
 \end{array}$$

$$\begin{array}{r}
 61,884 \\
 - 22,244 \\
 \hline
 \end{array}$$

$$\begin{array}{r}
 6,884 \\
 \times 0,2 \\
 \hline
 \end{array}$$

$$\begin{array}{r}
 2,004 \\
 \times 0,04 \\
 \hline
 \end{array}$$

$$\begin{array}{r}
 2,442 \\
 \times 2,8 \\
 \hline
 \end{array}$$

$$488'148 \quad \left| \quad \underline{6'2}$$

$$44'0024 \quad \left| \quad \underline{0'48}$$

$$4288'14 \quad \left| \quad \underline{4'8}$$

$$0'42862 \quad \left| \quad \underline{0'28}$$

$$\begin{array}{r} 142,88 \\ + 42,82 \\ \hline 44,82 \\ 680,21 \end{array}$$

$$\begin{array}{r} 42,22 \\ + 28,24 \\ \hline 2,88 \\ 2,82 \end{array}$$

$$\begin{array}{r} 88,92 \\ + 40,09 \\ \hline 44,24 \\ 4,24 \end{array}$$

$$\begin{array}{r} 62,002 \\ - 44,264 \\ \hline \end{array}$$

$$\begin{array}{r} 428,14 \\ - 26,88 \\ \hline \end{array}$$

$$\begin{array}{r} 864,98 \\ - 22,96 \\ \hline \end{array}$$

$$\begin{array}{r} 2,022 \\ \times 6,2 \\ \hline \end{array}$$

$$\begin{array}{r} 0,448 \\ \times 4,9 \\ \hline \end{array}$$

$$\begin{array}{r} 210,6 \\ \times 4,1 \\ \hline \end{array}$$

$$448'828$$

$$\left| \begin{array}{r} 6'1 \\ \hline \end{array} \right.$$

$$92'0012$$

$$\left| \begin{array}{r} 0'68 \\ \hline \end{array} \right.$$

$$8488'11$$

$$\left| \begin{array}{r} 48 \\ \hline \end{array} \right.$$

$$48'2262$$

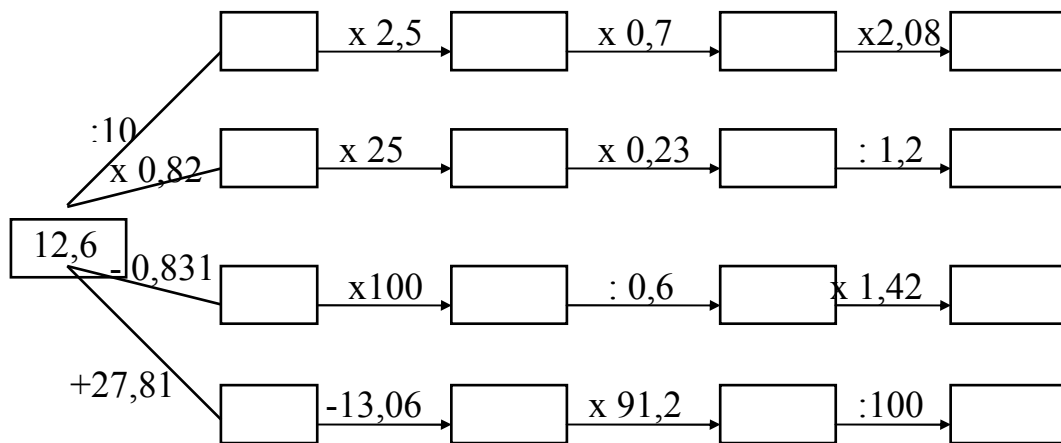
$$\left| \begin{array}{r} 2'1 \\ \hline \end{array} \right.$$

Efectúa:

- 48 : 100 =
- 24 : 1000 =
- 48,1 : 10 =
- 46 : 100 =
- 24,8 : 100 =
- 10,4 : 100 =
- 49 : 10 =
- 1 : 1000 =
- 84 : 100 =
- 0,24 : 10 =

- 41 : 100 =
- 24288 : 1000 =
- 2 : 100 =
- 46,8 : 1000 =
- 8,89 : 10 =
- 29,2 : 10 =
- 48,9 : 100 =
- 0,1 : 10 =
- 0,84 : 1000 =
- 0,2 x 10 =

Completa :



**CÁLCULO - 11**

$$\begin{array}{r} 124,64 \\ + 44,82 \\ \hline 908,04 \\ 84,82 \end{array}$$

$$\begin{array}{r} 464,82 \\ + 241,09 \\ \hline 409,81 \\ 884,94 \end{array}$$

$$\begin{array}{r} 482,81 \\ + 288,64 \\ \hline 682,84 \\ 20,02 \end{array}$$

$$\begin{array}{r} 4682,92 \\ - 114,84 \\ \hline \end{array}$$

$$\begin{array}{r} 8904,84 \\ - 2424,82 \\ \hline \end{array}$$

$$\begin{array}{r} 4622,92 \\ - 1899,84 \\ \hline \end{array}$$

$$\begin{array}{r} 244,81 \\ \times 4,2 \\ \hline \end{array}$$

$$\begin{array}{r} 2884,2 \\ \times 8,2 \\ \hline \end{array}$$

$$\begin{array}{r} 446,82 \\ \times 0,8 \\ \hline \end{array}$$

$$24'4226$$

$$\underline{0'24}$$

$$0'00428$$

$$\underline{2'2}$$

$$2268'42$$

$$\underline{6'24}$$

$$8'48022$$

$$\underline{2'81}$$



Coloca y suma:

$$86.684,2 + 8.969,112 + 64.648,88 + 49.866,684$$

$$46.244,88 + 22.169,8 + 8.664,628 + 86.488,66$$

$$4.986,1 + 42.688,86 + 8.862,64 + 4.218,98$$

$$\begin{array}{r} 1288,22 \\ - 148,24 \\ \hline \end{array}$$

$$\begin{array}{r} 6604,41 \\ - 4400,08 \\ \hline \end{array}$$

$$\begin{array}{r} 4882,29 \\ - 429,14 \\ \hline \end{array}$$

$$\begin{array}{r} 444,99 \\ \times 8,2 \\ \hline \end{array}$$

$$\begin{array}{r} 2904,8 \\ \times 0,24 \\ \hline \end{array}$$

$$\begin{array}{r} 2282,81 \\ \times 0,046 \\ \hline \end{array}$$

$$24'0028$$

$$8'1$$

$$4'11688$$

$$0'041$$

$$4262'02$$

$$8'04$$

$$9'08222$$

$$4'84$$

$$\begin{array}{r}
 4,14 \\
 + 428,11 \\
 44,22 \\
 \hline
 462,09
 \end{array}$$

$$\begin{array}{r}
 822,26 \\
 + 68,08 \\
 608,44 \\
 8,14 \\
 \hline
 \end{array}$$

$$\begin{array}{r}
 84,01 \\
 + 821,04 \\
 122,88 \\
 \hline
 240,82
 \end{array}$$

$$\begin{array}{r}
 6888,04 \\
 - 2188,64 \\
 \hline
 \end{array}$$

$$\begin{array}{r}
 1114,89 \\
 - 1114,28 \\
 \hline
 \end{array}$$

$$\begin{array}{r}
 4264,09 \\
 - 2226,19 \\
 \hline
 \end{array}$$

$$\begin{array}{r}
 844,04 \\
 \times 8,8 \\
 \hline
 \end{array}$$

$$\begin{array}{r}
 2884,2 \\
 \times 0,21 \\
 \hline
 \end{array}$$

$$\begin{array}{r}
 490,02 \\
 \times 0,044 \\
 \hline
 \end{array}$$

$$68'8006 \quad \left| \quad 94 \right.$$

$$2'11408 \quad \left| \quad 0'061 \right.$$

$$8911'16 \quad \left| \quad 2'68 \right.$$

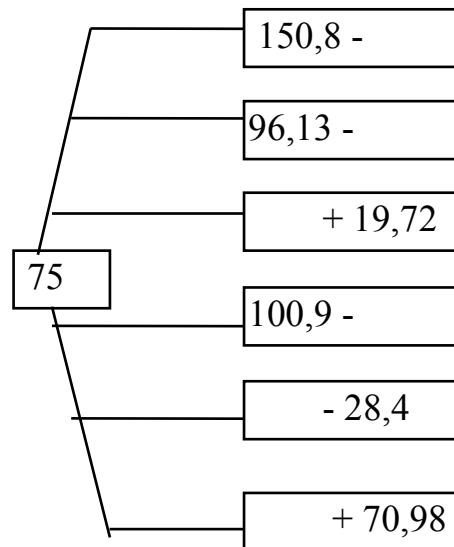
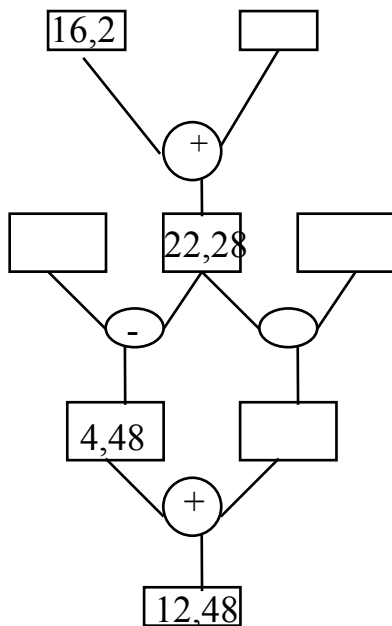
$$2'88244 \quad \left| \quad 4'08 \right.$$

Efectúa :

$2,4 \times 1000 =$   
 $0,8 : 10 =$   
 $24 : 100 =$   
 $2 : 1000 =$   
 $0,8 \times 100 =$   
 $2,8 \times 100 =$   
 $49,8 \times 1000 =$   
 $28,8 : 10 =$   
 $6000 : 100 =$   
 $2,82 : 10 =$

$0,8 \times 100 =$   
 $22,2 \times 100 =$   
 $4,88 \times 1000 =$   
 $2 : 1000 =$   
 $0,2 : 10 =$   
 $2,14 : 10 =$   
 $0,01 \times 100 =$   
 $8,48 \times 10 =$   
 $22 : 1000 =$   
 $0,0001 \times 100 =$

Completa:



## CÁLCULO - 12

Coloca y suma:

$$\begin{aligned}
 &86.684,2 + 8.060,112 + 64.648,88 + 40.866,681 \\
 &16.244,88 + 22.160,8 + 8.664,628 + 86.488,66 \\
 &4.086,1 + 42.688,86 + 8.862,64 + 4.218,08
 \end{aligned}$$

$$\begin{array}{r}
 44088,21 \\
 - 1244,44 \\
 \hline
 \end{array}$$

$$\begin{array}{r}
 46688,62 \\
 - 4884,48 \\
 \hline
 \end{array}$$

$$\begin{array}{r}
 98826,01 \\
 - 1069,48 \\
 \hline
 \end{array}$$

$$\begin{array}{r}
 488,81 \\
 \times 0,284 \\
 \hline
 \end{array}$$

$$\begin{array}{r}
 84412,9 \\
 \times 0,204 \\
 \hline
 \end{array}$$

$$\begin{array}{r}
 668,41 \\
 \times 6,28 \\
 \hline
 \end{array}$$

88441

0'68

0'24411

8'4

4'62211

401

4'22142

6'08

$$\begin{array}{r} 222,81 \\ + 26,41 \\ \hline 8,14 \\ 118,44 \end{array}$$

$$\begin{array}{r} 409,44 \\ + 668,42 \\ \hline 2446,98 \\ 6446,22 \end{array}$$

$$\begin{array}{r} 481,01 \\ + 8220,61 \\ \hline 4846,14 \\ 488,41 \end{array}$$

Coloca y resta:

$$\begin{array}{r} 80421,92 - 24401,428 \\ 248118,42 - 189212,8 \\ 81128,4 - 82202,19 \end{array}$$

$$\begin{array}{r} 888,24 \\ \times 0,404 \\ \hline \end{array}$$

$$\begin{array}{r} 68614,8 \\ \times 0,442 \\ \hline \end{array}$$

$$\begin{array}{r} 600,64 \\ \times 88,4 \\ \hline \end{array}$$

48406

4'81

4'00681

2'8

4'09912

220

8'44648

2'91

$$\begin{array}{r} 2602,41 \\ + 6228,22 \\ \hline 282,46 \\ 6068,08 \end{array}$$

$$\begin{array}{r} 4228,01 \\ + 601,26 \\ \hline 2928,08 \\ 466,11 \end{array}$$

$$\begin{array}{r} 6261,44 \\ + 620,19 \\ \hline 1424,66 \\ 466,04 \end{array}$$

$$\begin{array}{r} 46028,21 \\ - 2464,64 \\ \hline \end{array}$$

$$\begin{array}{r} 66682,62 \\ - 4486,62 \\ \hline \end{array}$$

$$\begin{array}{r} 98226,01 \\ - 1009,42 \\ \hline \end{array}$$

$$\begin{array}{r} 628,21 \\ \times 0,284 \\ \hline \end{array}$$

$$\begin{array}{r} 24612,9 \\ \times 0,204 \\ \hline \end{array}$$

$$\begin{array}{r} 662,41 \\ \times 6,22 \\ \hline \end{array}$$

44021

0'82

0'22221

4'6

9'06421

602

8'49882

9'41

**Efectúa :**

**0,24 x 1000 =**

**0,8 x 10 =**

**288 : 10 =**

**2,4 : 1000 =**

**0,8 x 1000 =**

**4,81 x 10 =**

**0,498 x 1000 =**

**2 : 10 =**

**6000 : 1000 =**

**282,2 : 10 =**

**0,8 x 10 =**

**0,22 x 100 =**

**0,481 x 1000 =**

**26 : 1000 =**

**0,2 : 100 =**

**9,12 x 10 =**

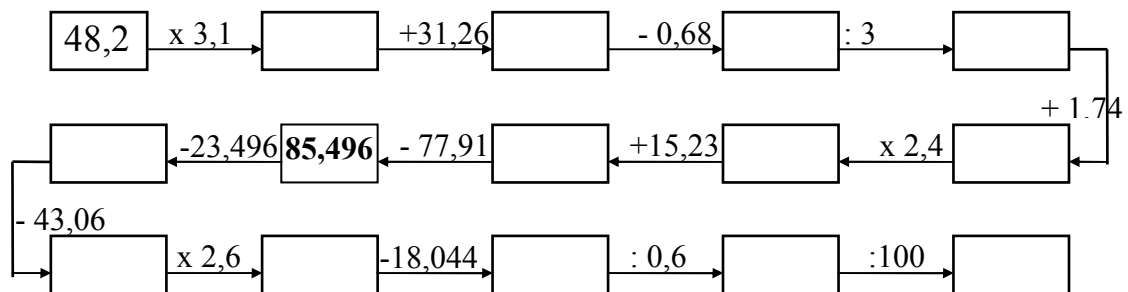
**0,01 x 1000 =**

**84,8 x 10 =**

**2,8 : 1000 =**

**0,0001 x 10000 =**

Completa la carrera de obstáculos:



**CÁLCULO - 13**

$$\begin{array}{r}
 462,09 \\
 + 8812,84 \\
 2244,14 \\
 \hline
 868,09
 \end{array}$$

$$\begin{array}{r}
 46888,44 \\
 + 844,42 \\
 94828,41 \\
 \hline
 2021,46
 \end{array}$$

$$\begin{array}{r}
 4611,42 \\
 + 8222,88 \\
 984,22 \\
 \hline
 4200,44
 \end{array}$$

$$\begin{array}{r}
 28908,41 \\
 - 684,81 \\
 \hline
 \end{array}$$

$$\begin{array}{r}
 22448,08 \\
 - 20002,12 \\
 \hline
 \end{array}$$

$$\begin{array}{r}
 62124,91 \\
 - 4909,42 \\
 \hline
 \end{array}$$

$$\begin{array}{r}
 898,01 \\
 \times 0,0208 \\
 \hline
 \end{array}$$

$$\begin{array}{r}
 86422,2 \\
 \times 8,44 \\
 \hline
 \end{array}$$

$$\begin{array}{r}
 8268,89 \\
 \times 20,9 \\
 \hline
 \end{array}$$

$$8'88441$$

$$0'018$$

$$0'284661$$

$$8'4$$

$$4'28921$$

$$810$$

$$20964$$

$$4'28$$



Coloca y suma:

$$\begin{aligned}
 &4.281,28 + 48.688 + 42.881,28 + 4.448,1 + 24.918,6 \\
 &24.091,12 + 68.200,82 + 8.202,114 + 4.448,6 + 2.488 \\
 &4.842,21 + 68.991,6 + 4.012 + 2.482,22
 \end{aligned}$$

$$\begin{array}{r}
 89810,62 \\
 - 60042,18 \\
 \hline
 \end{array}$$

$$\begin{array}{r}
 48828,41 \\
 - 1026,89 \\
 \hline
 \end{array}$$

$$\begin{array}{r}
 68262,42 \\
 - 4409,42 \\
 \hline
 \end{array}$$

$$\begin{array}{r}
 20091 \\
 \times 4,12 \\
 \hline
 \end{array}$$

$$\begin{array}{r}
 2,24601 \\
 \times 4,08 \\
 \hline
 \end{array}$$

$$\begin{array}{r}
 1,4098 \\
 \times 20,4 \\
 \hline
 \end{array}$$

$$2'00182$$

$$0'02$$

$$0'488200$$

$$0'44$$

$$2'88900$$

$$422$$

$$409'8$$

$$4'18$$

$$\begin{array}{r}
 462,24 \\
 + 8812,84 \\
 2244,14 \\
 868,24 \\
 \hline
 \end{array}$$

$$\begin{array}{r}
 46888,44 \\
 + 8461,42 \\
 44828,41 \\
 2221,46 \\
 \hline
 \end{array}$$

$$\begin{array}{r}
 4611,42 \\
 + 8222,88 \\
 4284,22 \\
 4222,44 \\
 \hline
 \end{array}$$

$$\begin{array}{r}
 28428,41 \\
 - 68264,81 \\
 \hline
 \end{array}$$

$$\begin{array}{r}
 22448,28 \\
 - 22222,12 \\
 \hline
 \end{array}$$

$$\begin{array}{r}
 62124,41 \\
 - 4424,42 \\
 \hline
 \end{array}$$

$$\begin{array}{r}
 848,21 \\
 \times 2,22 \\
 \hline
 \end{array}$$

$$\begin{array}{r}
 86422,2 \\
 \times 8,44 \\
 \hline
 \end{array}$$

$$\begin{array}{r}
 8268,84 \\
 \times 22,4 \\
 \hline
 \end{array}$$

4'09281

0'408

0'668241

4'1

4'22091

924

22991

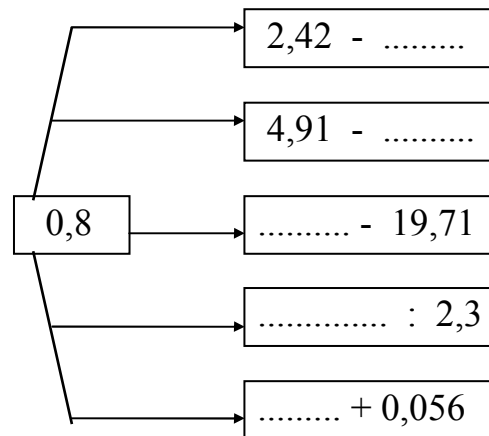
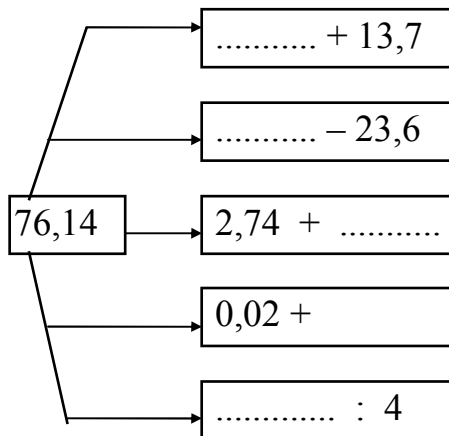
1'29

Completa :

$$\begin{aligned}
 0,88 \times \underline{\hspace{2cm}} &= 880 \\
 0,4 \times \underline{\hspace{2cm}} &= 4 \\
 48 : \underline{\hspace{2cm}} &= 4,8 \\
 0,24 : \underline{\hspace{2cm}} &= 240 \\
 0,81 \times \underline{\hspace{2cm}} &= 810 \\
 0,441 \times \underline{\hspace{2cm}} &= 4,41 \\
 49,8 \times \underline{\hspace{2cm}} &= 49800 \\
 0,22 : \underline{\hspace{2cm}} &= 0,022 \\
 61,4 : \underline{\hspace{2cm}} &= 0,0614 \\
 48,2 : \underline{\hspace{2cm}} &= 4,82
 \end{aligned}$$

$$\begin{aligned}
 2,8 \times \underline{\hspace{2cm}} &= 28 \\
 0,04 \times \underline{\hspace{2cm}} &= 40 \\
 2,01 \times \underline{\hspace{2cm}} &= 2010 \\
 2,6 : \underline{\hspace{2cm}} &= 0,0026 \\
 9,2 : \underline{\hspace{2cm}} &= 0,092 \\
 0,012 \times \underline{\hspace{2cm}} &= 0,12 \\
 0,004 \times \underline{\hspace{2cm}} &= 4 \\
 8,8 \times \underline{\hspace{2cm}} &= 88 \\
 0,8 : \underline{\hspace{2cm}} &= 0,0008 \\
 0,221 \times \underline{\hspace{2cm}} &= 2210
 \end{aligned}$$

Completa:



## CÁLCULO – 14

Coloca y suma:

$$\begin{aligned}
 &4.891,22 + 48.491 + 22.811,48 + 26.110,24 + 4.881,48 \\
 &12.084,01 + 48.411,4 + 24.880,218 + 6.046,4 + 4.128 \\
 &14.048 + 42.281,48 + 4.012 + 0,2
 \end{aligned}$$

$$\begin{array}{r}
 6\ 2\ 8\ 2\ 8,\ 8\ 8 \\
 -\ 4\ 0\ 0\ 9\ 4,\ 4\ 2 \\
 \hline
 \end{array}$$

$$\begin{array}{r}
 4\ 8\ 2\ 1\ 2\ 8,\ 4\ 1 \\
 -\ 1\ 8\ 4\ 8\ 4\ 2,\ 1\ 2 \\
 \hline
 \end{array}$$

$$\begin{array}{r}
 6\ 9\ 8\ 4\ 0,\ 4\ 2 \\
 -\ 2\ 8\ 4\ 4\ 9,\ 0\ 4 \\
 \hline
 \end{array}$$

$$\begin{array}{r}
 9\ 0\ 4\ 2,\ 4\ 4 \\
 \times\ 0,\ 8\ 1\ 6 \\
 \hline
 \end{array}$$

$$\begin{array}{r}
 8\ 2\ 9\ 0\ 2,\ 4 \\
 \times\ 0,\ 6\ 2\ 8 \\
 \hline
 \end{array}$$

$$\begin{array}{r}
 4\ 4\ 2\ 0,\ 4\ 2 \\
 \times\ 0,\ 8\ 2\ 1 \\
 \hline
 \end{array}$$

$$8\ 4\ 4\ 2\ 0\ 4\ 1 \quad \left| \quad 0\ 1\ 1\ 2
 \right.$$

$$0\ 0\ 2\ 4\ 2\ 2\ 1 \quad \left| \quad 1\ 2\ 6
 \right.$$

$$8\ 4\ 2\ 0\ 9\ 1\ 1 \quad \left| \quad 2\ 2\ 2\ 1
 \right.$$

$$4\ 8\ 2\ 6\ 4 \quad \left| \quad 8\ 1\ 1\ 4
 \right.$$

$$\begin{array}{r}
 226,12 \\
 + 4422,20 \\
 646,12 \\
 4429,94 \\
 \hline
 4264,91
 \end{array}$$

$$\begin{array}{r}
 46242,21 \\
 + 1241,62 \\
 16600,21 \\
 2220,64 \\
 \hline
 2624,42
 \end{array}$$

$$\begin{array}{r}
 4691,92 \\
 + 9209,04 \\
 426,41 \\
 4240,11 \\
 \hline
 924,21
 \end{array}$$

$$\begin{array}{r}
 42622,26 \\
 - 4004,42 \\
 \hline
 \end{array}$$

$$\begin{array}{r}
 422126,41 \\
 - 64242,12 \\
 \hline
 \end{array}$$

$$\begin{array}{r}
 49240,42 \\
 - 2249,04 \\
 \hline
 \end{array}$$

$$\begin{array}{r}
 9042,44 \\
 \times 0,214 \\
 \hline
 \end{array}$$

$$\begin{array}{r}
 62902,4 \\
 \times 0,422 \\
 \hline
 \end{array}$$

$$\begin{array}{r}
 4420,42 \\
 \times 0,621 \\
 \hline
 \end{array}$$

$$2'400042$$

$$0'441$$

$$0'088821$$

$$28'2$$

$$4'898914$$

$$2888$$

$$68962$$

$$48'14$$

$$\begin{array}{r}
 288,10 \\
 + 4480,80 \\
 828,10 \\
 469,94 \\
 428,91 \\
 \hline
 \end{array}$$

$$\begin{array}{r}
 48268,01 \\
 + 1821,80 \\
 18800,01 \\
 82820,86 \\
 8824,60 \\
 \hline
 \end{array}$$

$$\begin{array}{r}
 4891,90 \\
 + 989,04 \\
 482,41 \\
 4260,11 \\
 9806,81 \\
 \hline
 \end{array}$$

$$\begin{array}{r}
 62808,88 \\
 - 4094,40 \\
 \hline
 \end{array}$$

$$\begin{array}{r}
 482108,41 \\
 - 184840,10 \\
 \hline
 \end{array}$$

$$\begin{array}{r}
 69840,40 \\
 - 8449,04 \\
 \hline
 \end{array}$$

$$\begin{array}{r}
 9042,44 \\
 \times 0,816 \\
 \hline
 \end{array}$$

$$\begin{array}{r}
 82900,4 \\
 \times 0,608 \\
 \hline
 \end{array}$$

$$\begin{array}{r}
 4420,40 \\
 \times 0,801 \\
 \hline
 \end{array}$$

$$4'699021$$

$$\underline{0'228}$$

$$0'021121$$

$$\underline{42'8}$$

$$4'468814$$

$$\underline{4826}$$

$$28864$$

$$\underline{21'22}$$

**Completa :**

**68,82 \_\_\_\_\_ = 688,2**  
**0,4 \_\_\_\_\_ = 4**  
**26 \_\_\_\_\_ = 0,26**  
**0,84 \_\_\_\_\_ = 8,4**  
**2 \_\_\_\_\_ = 0,02**  
**0,004 \_\_\_\_\_ = 4**  
**0,8 \_\_\_\_\_ = 8**  
**0,0001 \_\_\_\_\_ = 1**  
**0,1 \_\_\_\_\_ = 10**  
**48,4 \_\_\_\_\_ = 0,484**

**26 \_\_\_\_\_ = 2,6**  
**0,04 \_\_\_\_\_ = 0,4**  
**2 \_\_\_\_\_ = 0,2**  
**1000 \_\_\_\_\_ = 10**  
**0,8 \_\_\_\_\_ = 80**  
**2,8 \_\_\_\_\_ = 0,28**  
**1000 \_\_\_\_\_ = 0,1**  
**42 \_\_\_\_\_ = 4200**  
**8,04 \_\_\_\_\_ = 80,4**  
**0,001 \_\_\_\_\_ = 0,1**

**Encuentra:** Serpiente venenosa

<b>Operaciones</b>	<b>446,04 24,06 + 8,81</b>	<b>488,91 -124,2</b>	<b>124,4 x 0,26</b>	<b>24,462: 0,4</b>	<b>2,82 x 10</b>	<b>46,4 28,4 + 0,82</b>
<b>Resultado</b>						
<b>Letra</b>						
<b>Nombre</b>						

**CLAVE :**

<b>84,42 = O</b>	<b>84,24 = S</b>	<b>214,62 = V</b>	<b>414,42 = E</b>	<b>486,9 = B</b>
<b>28,2 = I</b>	<b>40,86 = R</b>	<b>486,9 = C</b>	<b>466,41 = A</b>	<b>416,41 = G</b>

## CÁLCULO – 15

Coloca y suma:

$$\begin{aligned}
 &44.894,82 + 61.091 + 88.012,48 + 46.191,84 + 2.281,08 \\
 &22.482,41 + 88.441,2 + 64.889,028 + 2.002,2 + 2.220 \\
 &64.221 + 88.004,28 + 8.099 + 0,4
 \end{aligned}$$

$$\begin{array}{r}
 80048,28 \\
 - 21098,42 \\
 \hline
 \end{array}$$

$$\begin{array}{r}
 642888,42 \\
 - 484224,08 \\
 \hline
 \end{array}$$

$$\begin{array}{r}
 68826,48 \\
 - 14649,84 \\
 \hline
 \end{array}$$

$$\begin{array}{r}
 8126,88 \\
 \times 0,224 \\
 \hline
 \end{array}$$

$$\begin{array}{r}
 22462,9 \\
 \times 0,802 \\
 \hline
 \end{array}$$

$$\begin{array}{r}
 48420,88 \\
 \times 0,602 \\
 \hline
 \end{array}$$

$$6'462811$$

$$0'122$$

$$0'048881$$

$$22'4$$

$$2'440821$$

$$6881$$

$$24284$$

$$21'24$$



$$\begin{array}{r}
 822,42 \\
 + 4424,62 \\
 611,22 \\
 2228,04 \\
 \hline
 2284,82
 \end{array}$$

$$\begin{array}{r}
 86112,01 \\
 + 2248,82 \\
 26404,82 \\
 2118,91 \\
 \hline
 2824,89
 \end{array}$$

$$\begin{array}{r}
 4804,92 \\
 + 2899,02 \\
 206,81 \\
 2220,82 \\
 \hline
 861,04
 \end{array}$$

$$\begin{array}{r}
 82664,42 \\
 - 8108,02 \\
 \hline
 \end{array}$$

$$\begin{array}{r}
 824426,01 \\
 - 26242,88 \\
 \hline
 \end{array}$$

$$\begin{array}{r}
 46889,41 \\
 - 2090,02 \\
 \hline
 \end{array}$$

$$\begin{array}{r}
 2108,42 \\
 \times 0,812 \\
 \hline
 \end{array}$$

$$\begin{array}{r}
 28989,4 \\
 \times 0,498 \\
 \hline
 \end{array}$$

$$\begin{array}{r}
 6900,41 \\
 \times 0,411 \\
 \hline
 \end{array}$$

$$8'986202$$

$$\underline{0'681}$$

$$0'022801$$

$$\underline{48'1}$$

$$2'628910$$

$$\underline{4408}$$

$$28862$$

$$\underline{44'14}$$

$$\begin{array}{r}
 288,10 \\
 + 4480,80 \\
 828,10 \\
 463,94 \\
 428,96 \\
 \hline
 \end{array}$$

$$\begin{array}{r}
 48268,01 \\
 + 1861,80 \\
 18800,01 \\
 82820,86 \\
 8826,60 \\
 \hline
 \end{array}$$

$$\begin{array}{r}
 4891,80 \\
 + 988,04 \\
 442,41 \\
 4860,11 \\
 6806,81 \\
 \hline
 \end{array}$$

$$\begin{array}{r}
 62808,88 \\
 - 4094,40 \\
 \hline
 \end{array}$$

$$\begin{array}{r}
 482108,41 \\
 - 184840,10 \\
 \hline
 \end{array}$$

$$\begin{array}{r}
 69840,40 \\
 - 8449,04 \\
 \hline
 \end{array}$$

$$\begin{array}{r}
 9042,44 \\
 \times 0,816 \\
 \hline
 \end{array}$$

$$\begin{array}{r}
 82900,4 \\
 \times 0,608 \\
 \hline
 \end{array}$$

$$\begin{array}{r}
 4420,40 \\
 \times 0,801 \\
 \hline
 \end{array}$$

$$1'386081$$

$$\underline{0'368}$$

$$0'080066$$

$$\underline{32'8}$$

$$8'330044$$

$$\underline{6088}$$

$$68114$$

$$\underline{31'48}$$



## CÁLCULO MENTAL (PROBLEMAS)

BLOQUE - 1		
1	Con 5 medios panes ¿cuántos panes enteros tendremos?	
2	Mi hermano tiene 6 pañuelos, mi hermana tiene 4 y yo tengo 3. ¿cuántos pañuelos tenemos entre todos?	
3	En un juego de clase me han tocado 6 caramelos, a Laura le han tocado 10 y a Miguel 15. ¿Cuántos caramelos nos ha tocado entre todos?	
4	Tengo 3 cestos, que entre todos contienen 20 peras. En el primero hay 9 peras y en el segundo 8. ¿Cuántas hay en el tercero?	
5	Hemos hecho un ramo de flores que hemos recogido en el bosque. Yo he traído 6 amapolas. Mi hermana doble número que yo, pero de margaritas y Carlos 8 claveles. ¿Cuántas flores tiene el ramo?	
6	En el tiesto azul hay 4 flores, en el rojo 3 y en el amarillo 3. ¿cuántas flores hay entre los tres tiestos?	
7	¿cuántas decenas hay en 80 unidades?	
8	¿Cuántos regalices de medio euro puedo comprarme con 10 euros?	
9	Mi madre tiene 21 botones viejos que le costaron a medio euro cada uno. ¿Cuántos euros le costaron todos?	
10	Durante 4 días me he tomado media pastilla cada día. ¿Cuántas pastillas me he tomado en total?	

BLOQUE - 2		
1	Para hacer unas banderas de medio metro cada una, me he comprado 6 metros de tela. ¿Cuántas banderas podré hacer?	
2	¿Cuántas decenas hay en 100?	
3	Para empezar una colección de monedas mi padre me dio 14 y yo he comprado 22. ¿Cuántas monedas tengo ahora?	
4	Mi madre tenía 15 caramelos. Me ha dado 3 a mí y 2 a cada uno de mis 3 hermanos pequeños. ¿Cuántos caramelos le han quedado?	
5	Íbamos 2 y hemos tomado dos veces el autobús. ¿Cuánto hemos gastado si el billete vale 30 céntimos?	
6	Si 6 niños tienen 7 lápices cada uno, ¿Cuántos lápices tienen entre todos?	
7	Cada día me gasto 20 céntimos comprado algo para desayunar. ¿Cuánto gastaré en los desayunos de una semana?	
8	Con 1 euro ¿Cuántos sobres de cromos de 20 céntimos cada uno podré comprar?	
9	20 amigos tenemos una moneda de 10 céntimos cada uno ¿Cuántos euros tenemos entre todos?	
10	Con 36 huevos ¿Cuántas docenas tienes? ¿y decenas completas?	

BLOQUE – 3		
1	Con 42 garbanzos. ¿cuántos grupos de 6 puedes hacer?	
2	Si tienes 40 cromos y los quieres poner en sobres de 6 cromos cada uno, ¿cuántos sobres necesitarás?	
3	¿cuántos meses hay en un año y medio?	
4	Media hora ¿cuántos minutos tiene?	
5	Ayer, jugando a las canicas, primero gané 15 y después perdí 6. ¿cuántas canicas tengo ahora si empecé jugando con 7?	
6	Luis colecciona sellos. tiene en total 200. 90 son franceses; 60 ingleses y el resto españoles. ¿Cuántos sellos españoles tiene?	
7	Cada niño de la clase tiene 3 lápices de colores. En una mesa de 4 niños, ¿cuántos lápices de colores tendrán entre todos?	
8	Si cada día tengo que tomar 4 cucharadas de medicina ¿Cuántas tomaré en 4 días?	
9	En un cuarto de hora ¿cuántos minutos hay?	
10	Tengo 18 pares de zapatos ¿cuántos zapatos tengo?	

BLOQUE – 4		
1	¿Cuántos cuartos de hora hay en 6 horas?	
2	¿Cuántas pastillas de 10 céntimos podré comprar con un euro?	
3	Si tuviera 8 monedas de medio euro ¿cuántos euros tendría?	
4	Si tuviese 10 monedas de 10 céntimos ¿cuántos euros tendría?	
5	Yo tenía una cinta métrica de 1 m y medio de largo. Ahora me he comprado otra que mide el doble ¿cuánto miden entre las dos?	
6	Tengo 2 metros y medio de cuerda y me compro un trozo el doble que éste. ¿Cuántos metros de cuerda tendré entre las dos?	
7	Antonio tiene 34 céntimos para comprar un objeto que vale medio euro. ¿cuánto dinero le falta?	
8	¿Cuánto son los tres cuartos de 16?	
9	Tengo 15 mitades de galleta ¿cuántas galletas enteras son?	
10	15 cuartos de hora ¿cuántas horas son?	

BLOQUE – 5		
1	En el patio hay 24 ruedas. Una cuarta parte son pequeñas y el resto grandes. ¿cuántas ruedas grandes hay?	
2	Con 6 tortas y media. ¿cuántas medias tortas podemos tener?	
3	Mary compra un libro y paga con un billete de 10 euros. El librero le devuelve una moneda de 50 céntimos, dos monedas de 20 céntimos y una de 10 céntimos ¿cuánto cuesta el libro?	
4	Jaime tenía 3 monedas de un euro y tres monedas de medio euro. Se gasta un euro y medio ¿cuánto le queda?	
5	El domingo hicimos una excursión de 58 km. El domingo anterior habíamos hecho otra de 46 km. ¿cuántos kms más hicimos el segundo domingo que el primero?	
6	En un bosque hay 51 pinos y 33 encinas. ¿Cuántos pinos hay más que encinas?	
7	Si las minas de lápiz costasen 10 céntimos cada una ¿cuánto valdrían 20 minas?	
8	En mi estantería caben 26 libros, pero yo tengo 39 ¿cuántos libros no podré poner en la estantería?	
9	Tengo 30 lápices ¿cuántas docenas tengo?	
10	Si cada día me compro 3 sobres de cromos de 20 céntimos cada uno ¿cuánto dinero me quedará de 5 euros al cabo de una semana?	

BLOQUE – 6		
1	Tengo un euro y medio. Si durante 10 días me gasto 10 céntimos cada día ¿Cuánto me quedará?	
2	Una bolsa de 3 kg y medio de naranjas ¿cuánto costará si el kilo vale 50 céntimos?	
3	Si un litro de vino cuesta 2 euros ¿Cuánto costará un cuarto de litro?	
4	Yo tengo 9 años. Mi madre tiene 35. ¿Cuántos años tenía mi madre cuando nací yo?	
5	En 20 euros ¿cuántas monedas de 50 céntimos hay?	
6	Empecé una colección de sellos con 20 sellos que me regaló mi primo. Ahora, con los que he recogido yo, tengo 42 ¿cuántos sellos he recogido yo?	
7	A Margarita, el lunes le dieron 1 bolsa de pipas, el martes le dieron 3 y el miércoles 2 más. De todas, sólo se ha comido 4 ¿cuántas le quedan?	
8	Un cazador, el lunes cazó 3 perdices, el martes, 5; el miércoles ninguna y el jueves 7 ¿cuántas tendrá una vez terminados los 4 días de caza si se ha comido 4?	
9	Un clavo cuesta 5 céntimos ¿cuánto costarán 25 clavos?	
10	Con 3 euros ¿cuántos sellos de 20 céntimos podré comprar?	

BLOQUE - 7		
1	Tengo que plantar 25 rosales en el jardín. Mañana que es fiesta plantaré 11; después plantaré 2 cada día, duran te 6 días. ¿cuántos me quedarán todavía por plantar?	
2	Tengo que forrar 50 libros. Esta semana forraré 4 cada día ¿cuántos me quedarán todavía por forrar?	
3	Inés tenía 25 libros y el día de su santo, 4 personas le regalaron 3 libros cada una ¿cuántos libros tiene ahora?	
4	¿cuántos cuartos de bizcocho hay en una docena de bizcochos?	
5	¿cuántos regalices de 5 céntimos puedo comprar con una moneda de medio euro?	
6	¿cuántos cuartos de kilo tengo con 20 kg?	
7	Me he comido 4 naranjas y media de un cesto en el que había 13. ¿Cuántas naranjas quedan en el cesto?	
8	Tenía 4 monedas de 20 céntimos en el bolso, 5 monedas de 10 céntimos en el bolsillo. Sólo me queda medio euro ¿cuánto me he gastado?	
9	En una excursión caminamos 5 km y medio por la mañana y el doble por la tarde. ¿cuántos kms caminamos en todo el día?	
10	Ricardo ha caminado 7 km y Gemma ha caminado la mitad que Ricardo. ¿cuántos kms. han caminado entre los dos?	

BLOQUE - 8		
1	Mi tío me ha dado 18 dulces y mi tía me ha dado la mitad que mi tío. ¿cuántos dulces me han dado entre los dos?	
2	Tengo que repartir 18 pastelitos entre 9 niñas. Si los reparto todos en partes iguales ¿cuántos tocarán a cada niña?	
3	¿cuántos grupos de 4 tenemos en 6 docenas?	
4	Juan tiene unas canicas que reparte entre sus amigos. Tiene 7 amigos, les da 8 canicas a cada uno y le sobran 3. ¿Cuántas canicas tenía?	
5	¿Cuánto pesan 2 cajas de fruta si cada una pesa 14 kg?	
6	Un vaso cuesta 30 céntimos. ¿cuánto costarán 5 vasos iguales?	
7	Con dos cubos llenos de agua hemos llenado un depósito de 25 litros. ¿Cuánto cabe en cada cubo?	
8	En casa de Margarita gastan 300 gramos de café cada día. ¿Cuántos paquetes de café de 100 gramos necesitarán para tres días?	
9	La hermana de Javier tiene 17 años. Javier nació cuando ella tenía 13 años. ¿Cuántos años tendrá Javier cuando ella tenga 25?	
10	En una escuela hay 64 niños y 40 niñas. ¿Cuántos niños hay más que niñas?	

BLOQUE – 9		
1	He salido de casa a las 9 menos 25 min. y he llegado a la escuela a las 9 y 10 min. ¿cuánto tiempo he tardado en llegar al colegio?	
2	He llegado al aeropuerto a las 3 y 20 min. y el avión no sale hasta las 4. ¿cuánto tendré que esperar?	
3	Repartimos 6 euros entre 6 niños ¿cuánto tocará a cada uno?	
4	Si cada día tres personas ponen 10 euros cada una en una hucha ¿cuánto recogerán en una semana?	
5	¿Cuántas veces está contenido uno y medio en quince?	
6	Un chico nacido en el año 1.975 ¿cuántos años tendrá en 1.991?	
7	Antonia pesa 56 kg. y Carlos pesa 35 ¿cuántos kgs pesa más Antonia que Carlos?	
8	Si de 2 euros quitamos seis monedas de 20 céntimos ¿cuántos céntimos quedan?	
9	Mi hermano ha comprado 4 litros y medio de refresco y mi hermana ha comprado el triple. ¿Cuánto han comprado entre los dos?	
10	Tengo 25 hojas de papel. Yo sólo necesito 1 docena; las otras las daré ¿cuántas hojas de papel daré?	

BLOQUE – 10		
1	Voy a comprarme un bolígrafo que vale un euro y setenta céntimos ¿cuánto me devolverán si entrego 2 euros?	
2	Como trabajo en verano tengo que hacer 80 problemas. Pienso hacer 6 cada día. Al cabo de 11 días de trabajo ¿cuántos me quedarán por hacer?	
3	Si tienes 46 cromos y los quieres repartir entre cuatro amigos ¿cuántos darás a cada amigo? ¿cuántos te sobrarán?	
4	Cada semana voy 4 veces al mercado. Al cabo de 8 semanas ¿cuántas veces habré ido?	
5	Cuanto me devolverán de cinco euros si tengo que pagar una cosa que valiera 2 euros y 40 céntimos?	
6	¿Cuánto es la mitad de 232?	
7	¿cuál es la cuarta parte de 26 kg de pan?	
8	Suma: 3 kg + 1 bolsa de 2 kg + 10 kg y medio + 1 kg y medio	
9	Suma: 2 manzanas y media, media manzana y 40 manzanas	
10	Cristina tenía 42 caramelos y 9 amigos le dieron 7 caramelos cada uno ¿Cuántos caramelos tiene ahora?	



BLOQUE – 11		
1	Cuántos caramelos de 10 céntimos puedo comprar con un billete de 5 euros?	
2	Cada día leo 6 páginas de un libro y los domingos sólo 3. Al cabo de tres semanas ¿cuántas páginas habré leído?	
3	Tengo 3 bidones de 6 litros y uno de 2 litros para ir a comprar aceite. ¿Cuántas veces tendré que traer todos los bidones llenos para llenar una cuba de 60 litros?	
4	Una rosa vale 25 céntimos. Si compro una docena ¿cuánto me costará?	
5	Cada tres días tengo que hacer una copia. ¿Cuántas haré en 3 semanas?	
6	En un billete de 10 euros ¿Cuántas monedas de 20 céntimos hay?	
7	Tres panes nos duran 3 días. ¿Cuánto nos durarán 12 panes?	
8	Si en una hora puedo leer 30 paginas ¿cuánto podré leer en 40 minutos?	
9	En un depósito vacía caben 100 litros de agua. Vacían en él 15 cubos de 6 litros cada uno ¿cuánta agua cabría después de esta operación?	
10	Tengo 250 céntimos ¿cuántos euros son?	

BLOQUE – 12		
1	He pesado 12 kg de arroz en bolsas de 1 kg y medio ¿cuántas bolsas he llenado?	
2	Un tendero tiene 10 kg. de café. Ha vendido 21 bolsitas de 100 g. cada una ¿cuánto café le queda?	
3	Necesito trozos de cinta de medio metro para hacer un trabajo manual. Con 1 dam ¿cuántos trozos podré hacer?	
4	100 gramos de café cuentan 50 céntimos ¿cuánto cuesta un kilo?	
5	Pedro tiene 6 veces los años de Bibiana. Bibiana tiene un año más que Marta y Marta tiene 6 años. ¿Cuántos años tiene Pedro?	
6	De mi casa al colegio hay 2 km. Del colegio a casa de mi abuela hay 800 metros. Cada día voy al colegio por la mañana y por la tarde, pero al mediodía no voy a comer a casa sino a casa de mi abuela ¿qué recorrido hago en estos cada día?	
7	Un niño tiene 28 cromos repartidos en 2 sobres. En uno tiene 8 cromos más que en el otro ¿cuántos cromos tiene en cada sobre?	
8	En una tienda venden caramelos, 6 por 25 céntimos. Miguel tiene 10 euros ¿cuántos podrá comprar?	
9	Un paquete de azúcar pesa 1 kg y 60 g. ¿cuánto pesan 4 paquetes iguales?	
10	Una señora quiere poner 4 litros y medio de leche en recipientes de tres cuartos de litro ¿Cuántos recipientes llenará?	

BLOQUE – 13		
1	¿Cuántas monedas de 20 céntimos hay en 6 euros?	
2	Un tendero tiene cajas de 2 kg y medio de membrillo. Si hoy ha vendido 12 kilos y medio ¿cuántas cajas ha vendido?	
3	En un depósito de gasolina de 40 litros, vacío, se echan 6 bidones de 5 litros. ¿Cuánta gasolina faltará todavía para que el depósito esté lleno?	
4	Media docena de pañuelos cuestan 12 euros. ¿Cuánto cuesta cada pañuelo?	
5	El forraje, cuando se seca, pierde la mitad de su peso. Por la mañana un agricultor recoge 630 kg. de forraje verde. ¿Cuál será el peso del forraje cuando esté seco?	
6	En 7 horas y tres cuartos ¿cuántos cuartos de hora hay?	
7	Para llegar al metro ¿cuántos decímetros le faltan a 6 dm?	
8	¿Cuántos dm hay en medio metro? ¿y en el doble de 1 m?	
9	Un saco de nueces pesa 20 kg. Un saco de trigo pesa el triple. ¿Cuál es el peso de los dos sacos juntos?	
10	Un tendero tenía 48 botes de mermelada. Ya ha vendido la mitad. ¿Cuántos le quedan todavía?	

BLOQUE – 14		
1	En 1.300 céntimos ¿Cuántos euros hay?	
2	Un listón mide 1 metro de largo. Lo cortamos en trozos de 2 dm. ¿cuántos trozos saldrán?	
3	Yo compro dos cuadernos. Uno vale 60 céntimos y el otro el doble. ¿cuánto me han costado los dos cuadernos?	
4	Un tonel contiene 214 litros de vino. Faltan 11 litros para que el tonel esté lleno. ¿Cuál es su capacidad total?	
5	De un rollo de 50 metros de alambre, el ferretero corta 30 m. para un cliente y 17 m para otro. ¿Cuánto alambre le quedará?	
6	De los 42 alumnos de una clase, hoy sólo han venido 32 ¿cuántos han venido hoy?	
7	Para secar la ropa, mi madre coloca tres cuerdas : una de 8 m. , otra de 4 metros y medio y otra de 6 metros y medio ¿qué longitud de cuerda ha necesitado?	
8	Se necesitan 56 cm. de cinta para envolver una caja de bombones. Se tienen que cortar 122 cm de más para hacer4 el lazo. ¿Qué longitud de cinta necesitaríamos para envolver 10 cajas iguales?	
9	¿Cuántos centímetros son 8 metros y medio?	
10	¿Cuántas pastillas de jabón hay en 100 cajas de 12 pastillas cada una?	

BLOQUE – 15		
1	Si doy 10 pasos de 55 cm cada uno ¿Cuántos metros habré recorrido?	
2	Una teja pesa 2 kg y medio ¿Cuánto pesarán 10 tejas?	
3	Joaquín tiene 48 años. Pablo tiene 14 más. ¿Cuántos años tiene Pablo?	
4	Si un lápiz cuesta 10 céntimos ¿cuánto costarán 24 lápices? ¿y 36?	
5	In chico, andando hace 4 km cada hora. Hoy tiene que hacer 18 km y ya lleva dos horas andando. ¿Cuántos kms le quedan por andar?	
6	Para hacer una chocolatada gastamos 4 tabletas y media de chocolate. ¿Cuántas gastaremos en 4 chocolatadas?	
7	¿Cuántos años tienen entre 4 niños de 1 y ½ años cada uno?	
8	¿Cuántas horas hay 180 minutos?	
9	¿Cuánto costarán 2 docenas de huevos a 10 céntimos cada huevo?	
10	Yo salgo de casa a las 9 menos 5 minutos para llegar al colegio a las 10 y 20. ¿Cuánto tiempo necesito para llegar al colegio?	

BLOQUE – 16		
1	Un ciclista va a 36 km por hora. ¿Cuántos kms recorrerá en media hora? ¿y en un cuarto de hora? ¿y en 3 cuartos de hora?	
2	Un avión vuela a la velocidad de 850 km por hora. ¿Qué distancia ha recorrido en media hora? ¿y en 2 horas?	
3	Jaime llega ala parada a las 10 menos 10 minutos para coger el autobús de las 10 y 5 minutos. ¿Cuánto tiempo tendrá que esperar?	
4	Un tren llega a la estación a las 6 menos 2 minutos. Se para 5 minutos ¿A qué hora saldrá de nuevo?	
5	Salimos de la escuela a las 10 menos cuarto para dar un paseo de 1 hora y 20 minutos. ¿A qué hora volveremos?	
6	Si cada 3 días hago 12 problemas ¿Cuántos problemas habré hecho en 15 días?	
7	Una caja llena de manzanas pesa 40 kg. El peso de la caja es 1/5 del peso total. ¿Cuál es el peso de las manzanas?	
8	¿Cuántos paquetes de 250 g. de mantequilla se pueden hacer con 2 kg de mantequilla?	
9	Cada niño de la clase gasta 5 hojas de papel cada día. Somos 25 niños. ¿Cuántas hojas gastamos entre todos en 10 días?	
10	En 63 patatas ¿cuántas decenas de patatas hay?	

BLOQUE – 17		
1	Un tren corre durante 9 horas. ¿A qué hora llegará a su destino si ha salido a las 6 de la mañana? ¿Y si ha salido a las 5 de la tarde?	
2	Miguel se va a la cama a las 10 de la noche y se levanta a las 8. ¿Cuántas horas pasa en la cama?	
3	Un niño nacido en el año 1975 ¿Cuántos años tendrá ahora?	
4	Un metro de alambre cuesta 1 euro y medio ¿cuánto costarán 3 metros?	
5	El maestro nos da 49 hojas de papel cada semana. En 70 días ¿cuántas hojas nos dará?	
6	Un viajero ha salido de Barcelona a las 10 de la noche, llega a París a las 5 de la tarde del día siguiente ¿Cuántas horas ha durado el viaje?	
7	¿Cuánto costarán 2 docenas de huevos a 10 centimos cada huevo?	
8	Yo salgo de casa a las 9 menos 5 minutos para llegar al colegio a las 10 y 20. ¿Cuánto tiempo me cuesta llegar?	
9	Un ciclista va a 36 km por hora. ¿Cuántos km. recorrerá en $\frac{1}{2}$ hora? ¿y en $\frac{1}{4}$ de hora? ¿y en $\frac{3}{4}$ de hora? ¿y en 2 horas?	
10	Cuatro caramelos cuestan 20 céntimos. Tengo 1 euro ¿Cuántos podré comprar?	

BLOQUE – 18		
1	Un avión vuela a la velocidad de 850 km por hora. ¿qué distancia ha recorrido en $\frac{1}{2}$ hora? ¿y en 2 horas?	
2	Un tren llega a la estación a las 6 menos 2 minutos. Se para 5 minutos ¿A qué hora saldrá de nuevo?	
3	Si cada día hago 12 problemas ¿cuántos problemas habré hecho en 15 días?	
4	Una caja llena de manzanas pesa 40 kg. El peso de la caja es de $\frac{1}{5}$ del peso total. ¿Cuál es el peso de las manzanas?	
5	¿Cuántos paquetes de 250 g. de mantequilla se pueden hacer con 4 kg de mantequilla?	
6	Cada niño de la clase gasta 5 hojas de papel cada día. Somos 25 niños. ¿Cuántas hojas gastamos entre todos en 10 días?	
7	Gasto 40 cm de papel para forrar un libro. ¿Cuántos metros necesitaré para forrar 5 libros iguales?	
8	Una regadera tiene una capacidad de 15 litros. Está llena a $\frac{2}{3}$ de su capacidad. ¿Cuántos litros de agua hay?	
9	Una botella de vino tiene una capacidad de $\frac{3}{4}$ de litro. ¿Cuántos litros de vino cabrán en 2 botellas? ¿y en 6 botellas?	
10	Hace 5 años compramos un perro recién nacido. ¿Cuántos años tiene ahora?	

BLOQUE - 19		
1	Una jara contiene 12 litros de agua. Gastamos los $\frac{2}{3}$ . ¿Cuántos litros hemos gastado? ¿cuántos quedan en la jarra?	
2	Tenemos dos cintas iguales y cortamos la primera en 3 partes iguales y la segunda en 5 partes iguales. ¿qué trozos serán más largos?	
3	Un carpintero necesita una hora y media para hacer un cajón y una hora para hacer una caja. Esta semana ha hecho 6 cajones y 6 cajas. ¿Cuánto tiempo ha empleado?	
4	¿Cuántos minutos hay en $\frac{3}{4}$ de hora? ¿y en en 1 hora y cuarto?	
5	¿Cuántos minutos hay en 5 horas? ¿y en 3 horas? ¿y en 10 horas?	
6	¿A qué hora tengo que encontrarme con un amigo si quiero quedar $\frac{3}{4}$ de hora antes de que empiece la película a las 8 y 20 minutos?	
7	Tienes 57 caramelos que quieres repartir en partes iguales entre 5 amigos, y tú te quedarás los que sobren. ¿Cuántos te podrás quedar?	
8	¿Cuán es el precio de 25 cm de tela a 3 euros el metro?	
9	Mi madre compra una tabletas de chocolate de 12 pastillas. Somos 6 en la familia y cada uno nos comemos una pastilla de chocolate cada día. ¿Cuántas tabletas de chocolate nos comeremos en 5 días?	
10	Si cada 4 días me ponen un inyección ¿cuántas me pondrán en 4 semanas?	

BLOQUE - 20		
1	El colegio se abre a las 10 menos 20. Necesito 40 minutos para el viaje desde mi casa. ¿A qué horas tengo que salir de casa si quiero llegar puntual?	
2	Con las mermeladas que ha hecho mi abuela ha llenado 6 tarros de $\frac{1}{2}$ litro. ¿Cuántos habría llenado si los tarros hubiesen sido de un cuarto de litro?	
3	Se reparten caramelos entre los 30 niños de una clase y tocan a 6 a cada uno. Si sólo hubiese 15 niños ¿cuántos caramelos les habrían tocado?	
4	Para recubrir 15 escalones se necesitan 30 m. de moqueta. ¿Qué longitud necesitaríamos para recubrir sólo 3 escalones?	
5	¿Cuál es la cuarta parte de un día y una hora?	
6	26 cuartos de hora ¿Cuántas horas son?	
7	¿Cuántos cuartos de panecillo se pueden hacer con 2 panecillos y medio?	
8	Si tuviera que llenar un depósito de dos y medio dal de capacidad con un cubo de 5 litros. ¿Cuántos cubos tendría que echar?	
9	10 paquetes de galletas pesan 2 kg. ¿Cuánto pesa un paquete? ¿y 100 paquetes?	
10	Un granjero ha vaciado un bidón de 136 litros de leche. ¿Cuántos dl. son?	