

1  Look and match.

1



mum

2



dad

3



sister

4



brother




2  Draw your family.

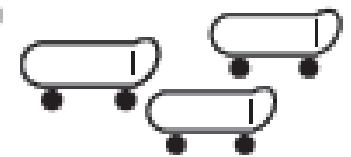
My family


1  Look and match.


1
2
3
4
5
6
7
8
9
10

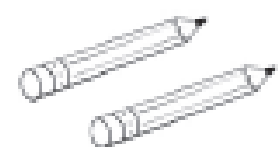
two
four
seven
ten
one
three
five
nine
six
eight


a 


b 


c 

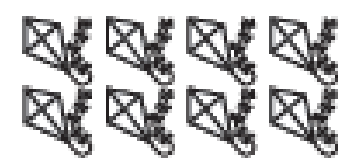
d 


e 

f 

g 

h 

i 

j 

1  Look and circle.



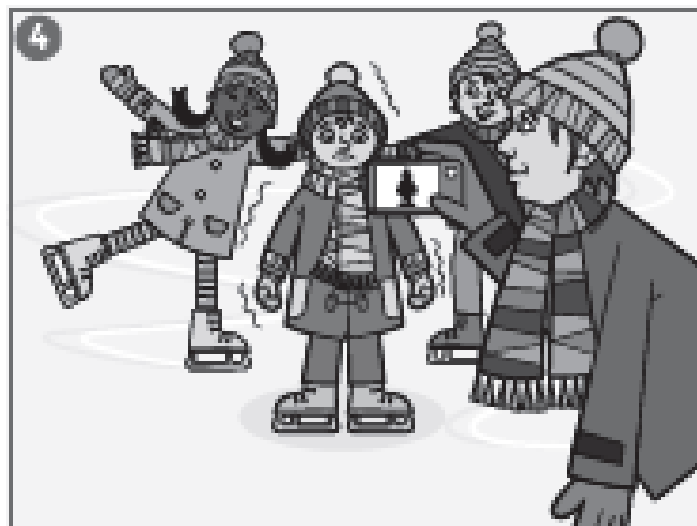
cloudy sunny



snowy rainy



windy cold



sunny cold

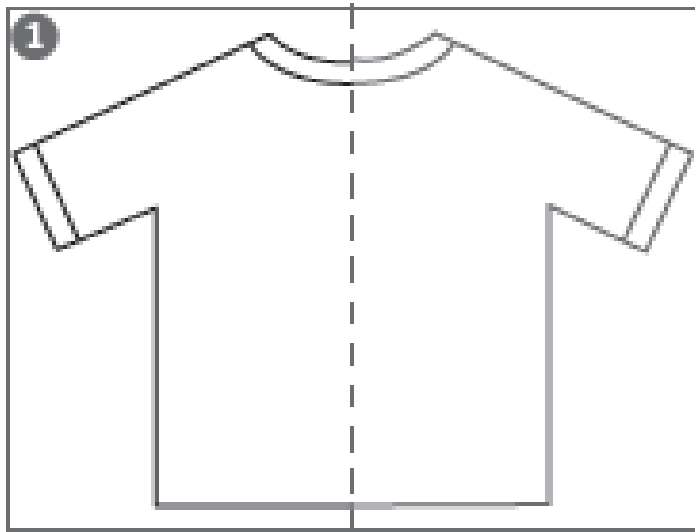


cloudy snowy

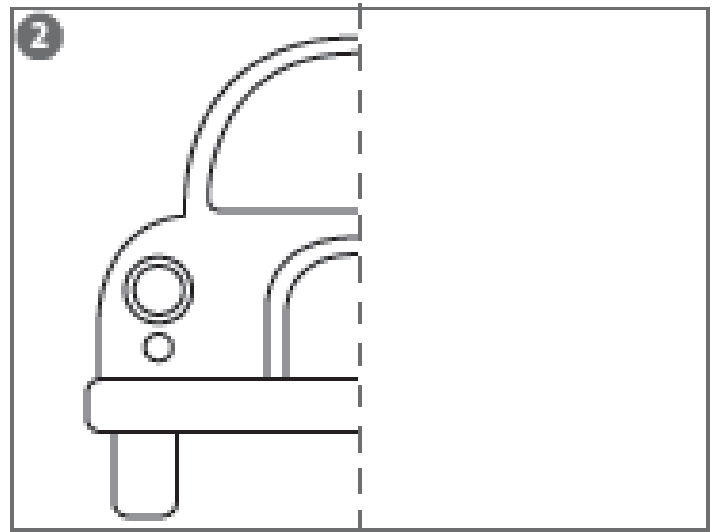


rainy windy

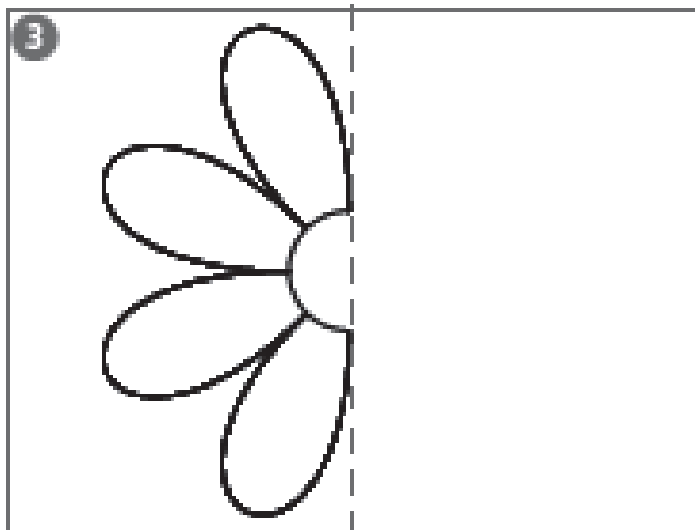
1  Draw and colour.



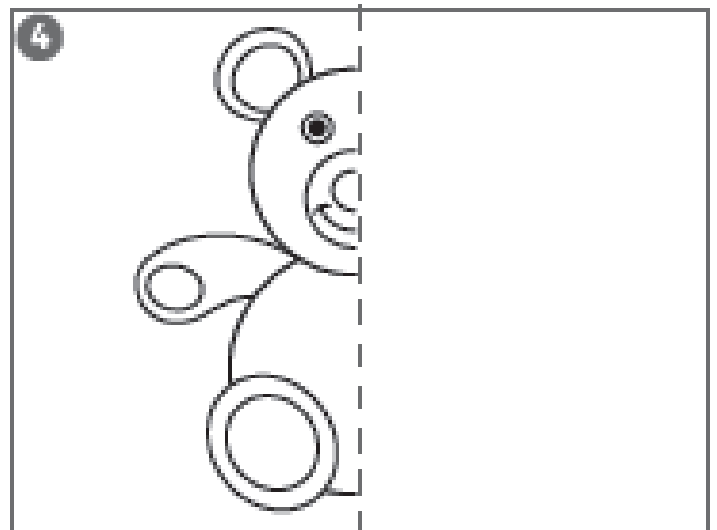
purple



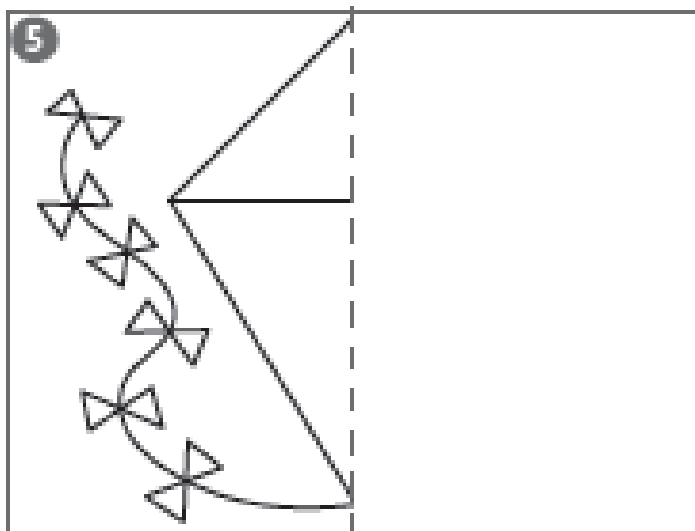
red



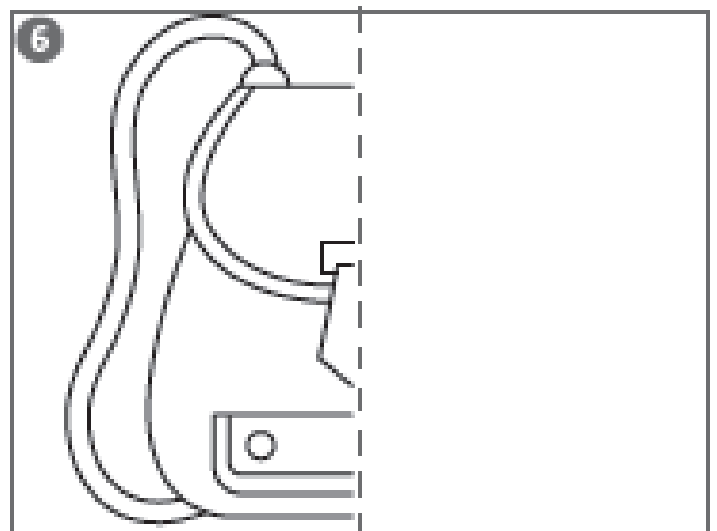
yellow



brown



blue pink



green orange

