

TAREAS INGLÉS SEMANA 4

COLOURS

SONGS:

<https://www.youtube.com/watch?v=jYAWf8Y91hA> (I SEE SOMETHING BLUE)

<https://www.youtube.com/watch?v=Asb8N0nz9OI> (I SEE SOMETHING PINK)

<https://www.youtube.com/watch?v=ybt2jhCQ3IA> (COLOUR MIXING)

HACER FICHA 1 Y 2

Actividades interactivas

[https://www.liveworksheets.com/worksheets/en/English as a Second Language \(ESL\)/Colours/Colours_qp20886hy](https://www.liveworksheets.com/worksheets/en/English+as+a+Second+Language+(ESL)/Colours/Colours_qp20886hy)

NUMBERS

SONGS:

<https://www.youtube.com/watch?v=xNw1SSz18Gg> (HOW MANY FINGERS)

<https://www.youtube.com/watch?v=DR-cfDsHCGA> (THE SINGING WALRUS 1 TO 10)

<https://www.youtube.com/watch?v=D0Ajg682yrA> (THE SINGING WALRUS 1 TO 20)

HACER FICHA 3

FICHA INTERACTIVA:

[https://www.liveworksheets.com/worksheets/en/English as a Second Language \(ESL\)/Numbers/Numbers 1-10 \(Unscramble\)_qc19662mp](https://www.liveworksheets.com/worksheets/en/English+as+a+Second+Language+(ESL)/Numbers/Numbers+1-10+(Unscramble)_qc19662mp)

SCHOOL SUPPLIES

SONGS:

<https://www.youtube.com/watch?v=l83nbwruQS8> (WHAT IS IT? SCHOOL SUPPLIES SONG)

<https://www.youtube.com/watch?v=5HOeWyAkhRc> (WHAT'S IN MY SCHOOL BAG?)

HACER FICHA 4 Y 5

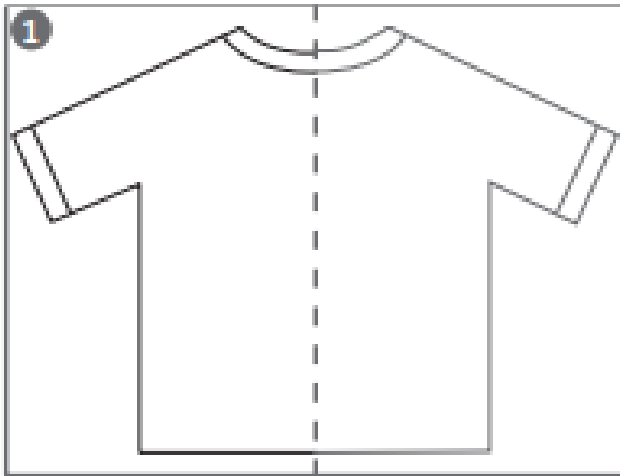
Vídeo story: <https://vimeo.com/191872764>

Juego online: <http://www.juntadeandalucia.es/averroes/centros-tic/11005548/helvia/aula/archivos/repositorio/0/116/html/files/findout.html>

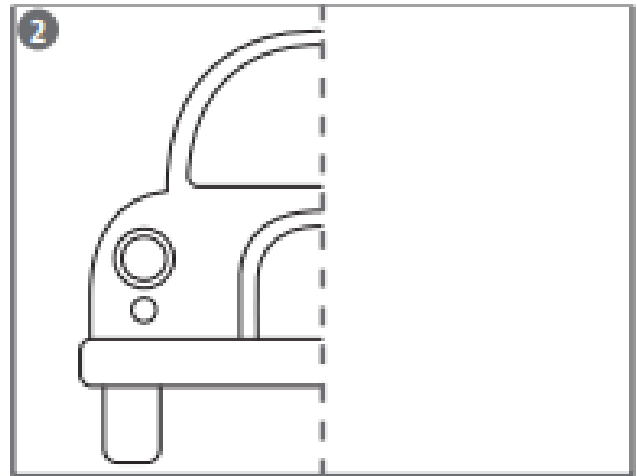
se necesita Flash Player, poner nombre y apellido (pueden ser inventados); elegir la opción ENGLISH y pinchar en la casita 1 CLASSROOM OBJECTS

Ficha 1

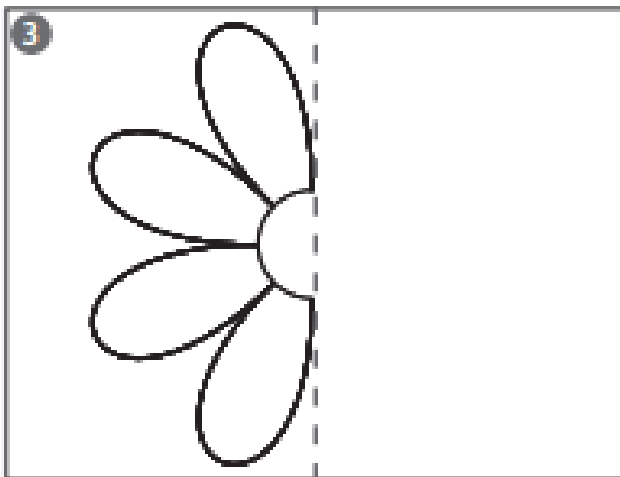
1  Draw and colour.



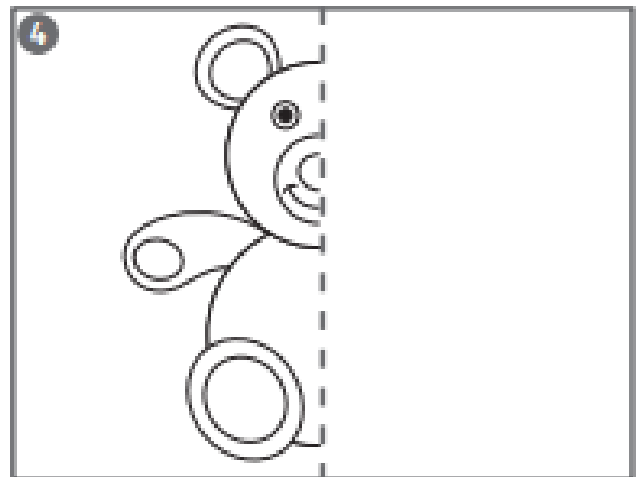
purple



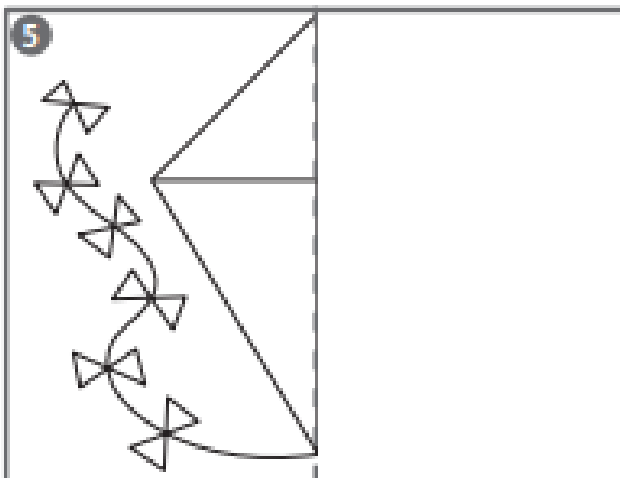
red



yellow

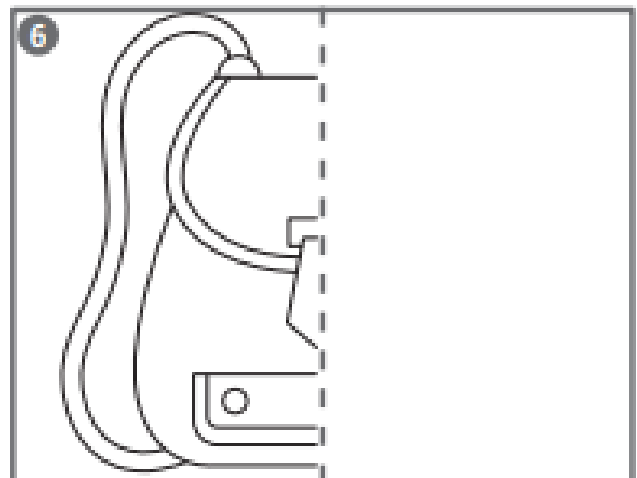


brown



blue

pink



green

orange

Ficha 2

COLOUR MIXING

① If you mix red and yellow you make orange.



② blue + red = purple



③ red + blue + yellow = brown



④ blue + yellow = green



⑤ red + white = pink

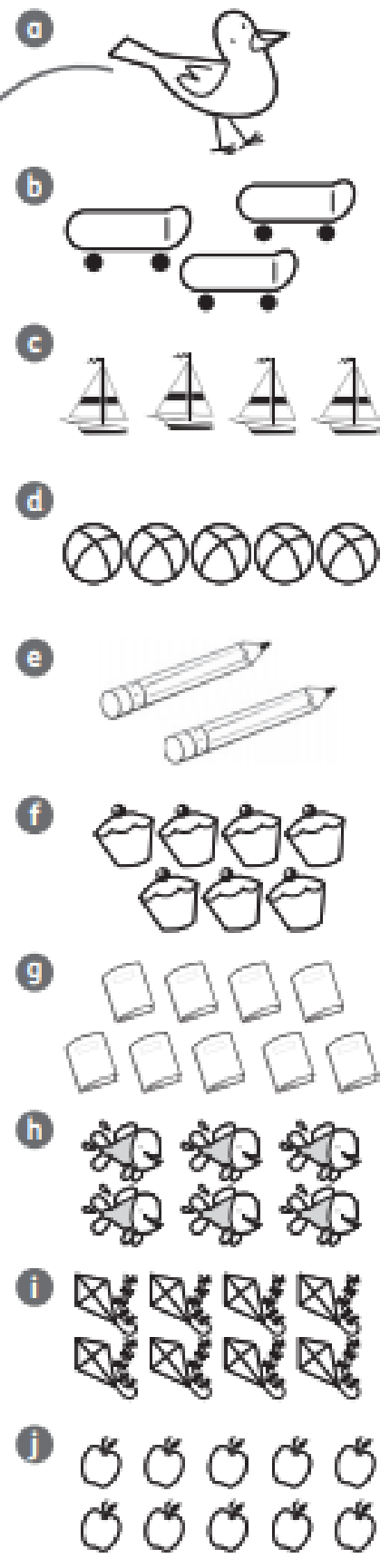


Ficha 3

1  Match and trace.

1
2
3
4
5
6
7
8
9
10

two
four
seven
ten
one
three
five
nine
six
eight



Ficha 4

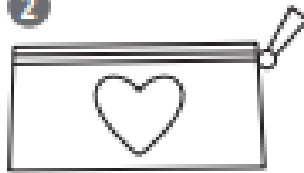
1  Trace and match.

1



pencil

2



pencil case

3

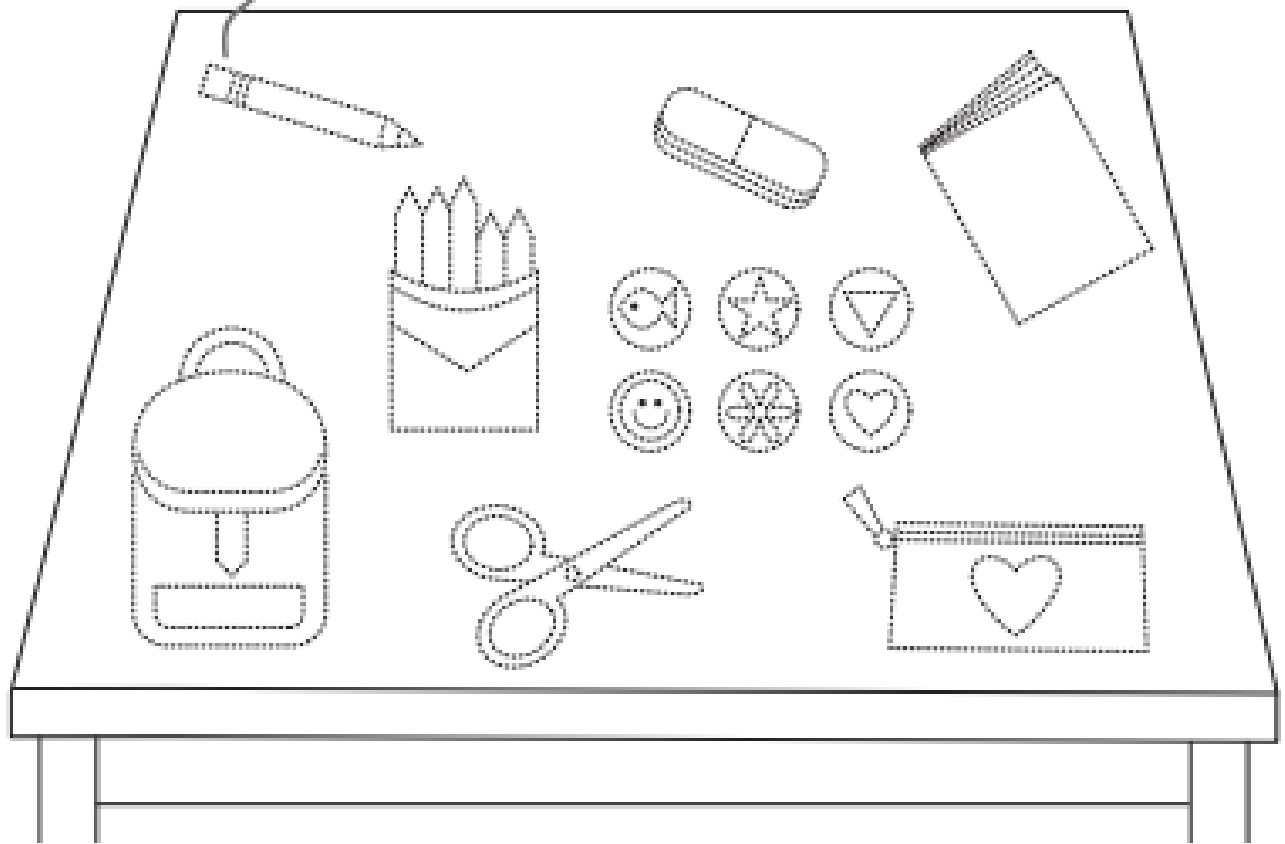


book

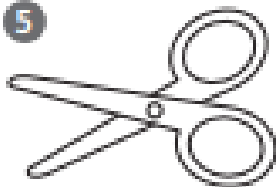
4



rubber



5



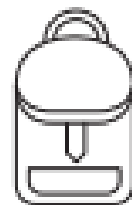
scissors

6



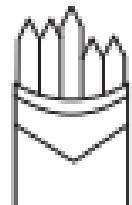
stickers

7



bag

8



crayons

My School Bag

Draw and write the names. What's inside your bag?

